

**TEL 390-11**  
**620W (Kit AS10)**

**Numatic**

numatic.com

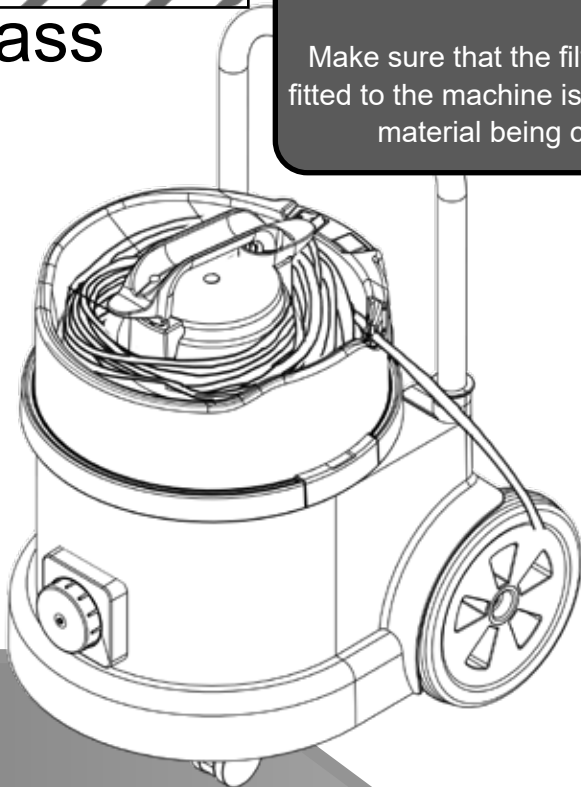


**L-Class**

**PLEASE READ  
BEFORE COMMENCING  
OPERATION**

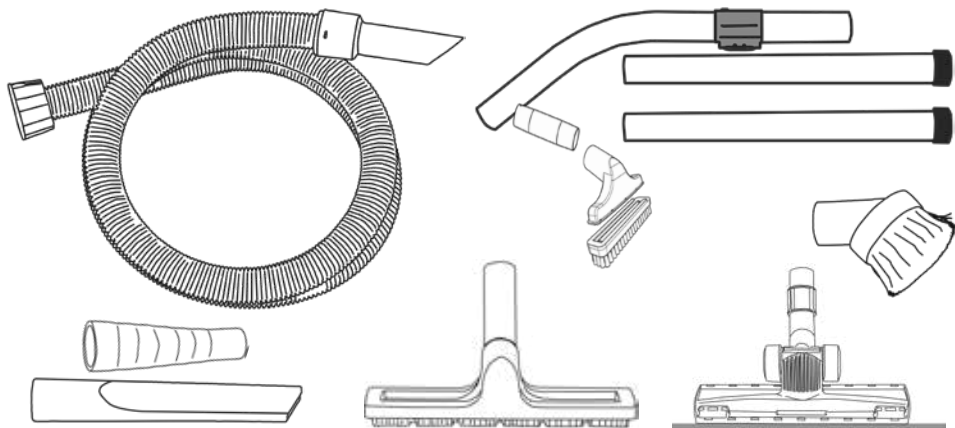
This machine is suitable for DRY use only.

Make sure that the filtration system fitted to the machine is suitable for the material being collected.



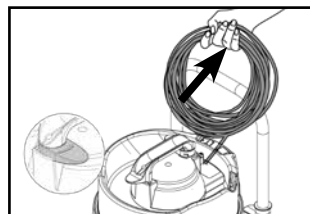
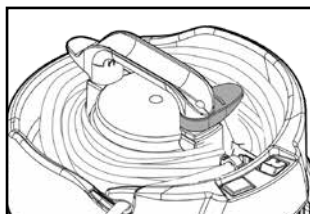
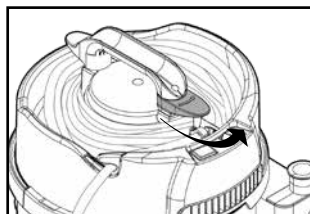
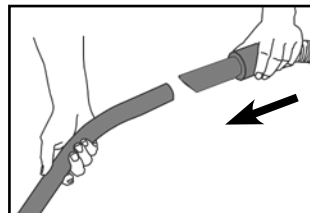
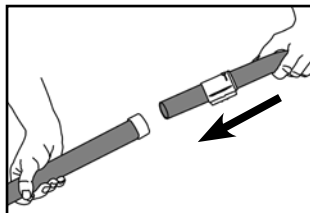
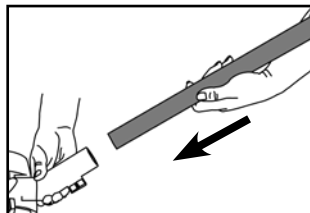
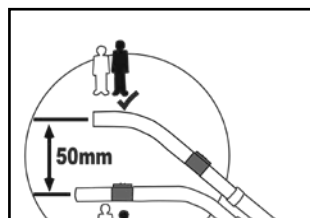
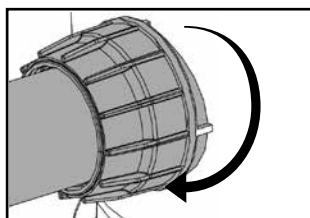
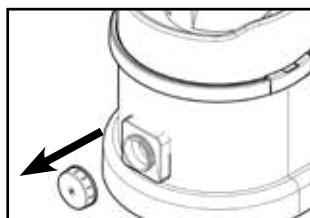
**Original Instructions**

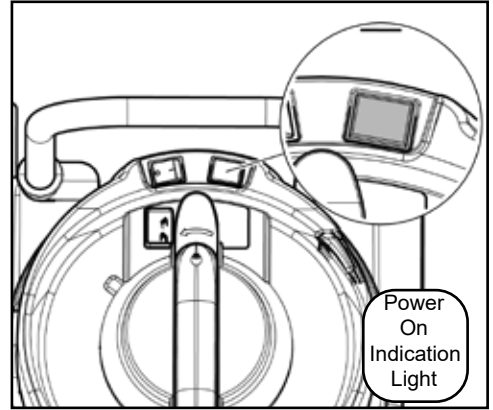
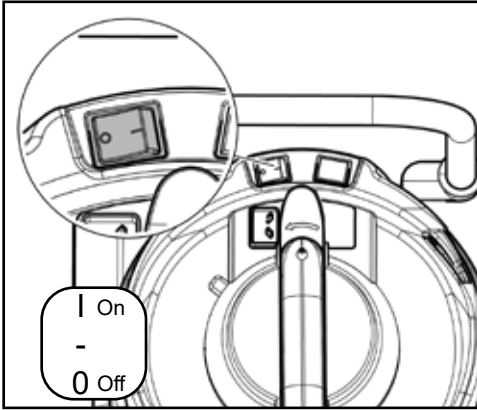
CAUTION, Read the Instructions before using the machine.



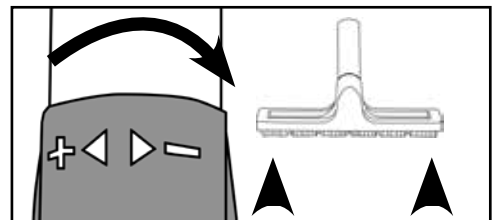
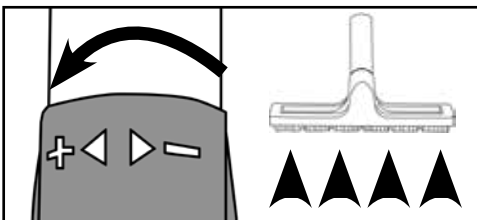
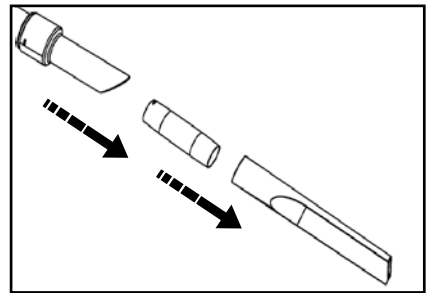
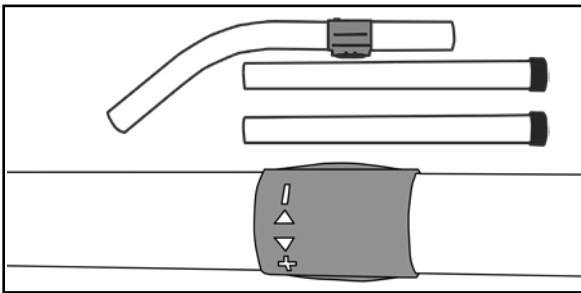
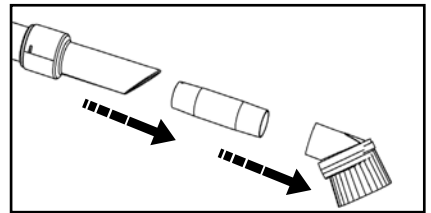
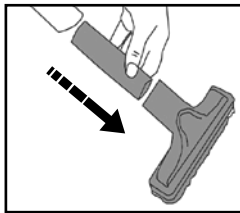
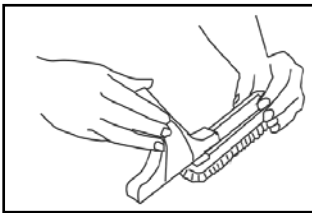
601102 2.9m NuFlexFlex Hose	900918 MultiFlo 300 mm Dry Floor Tool
601008 Stainless Steel Extension Tube x2	601430 FreeFlo 290 Floor Tool
601052 Stainless Steel Bend Tube	601999 5 Piece Accessory Kit
601176 Multi Size Power Adaptor	

## Assembly

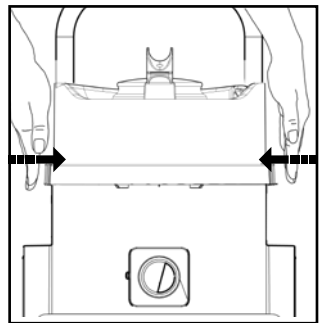
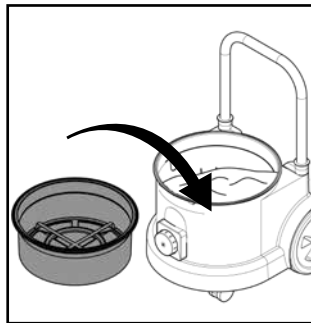
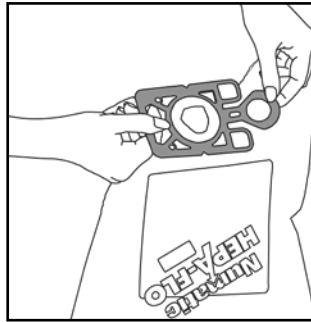
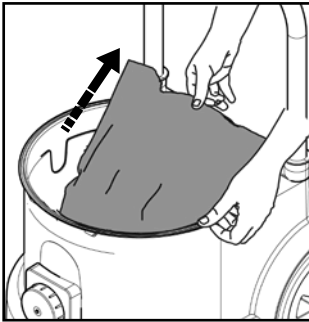
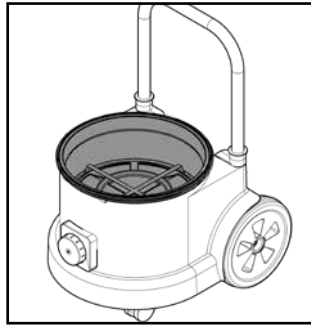
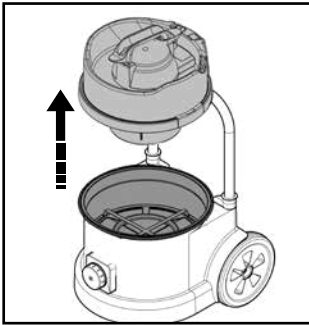
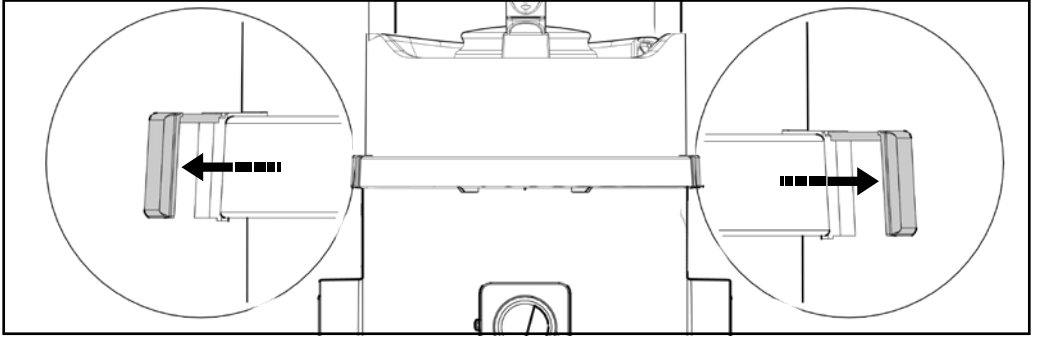




Using your Machine



# Cleaning your Machine

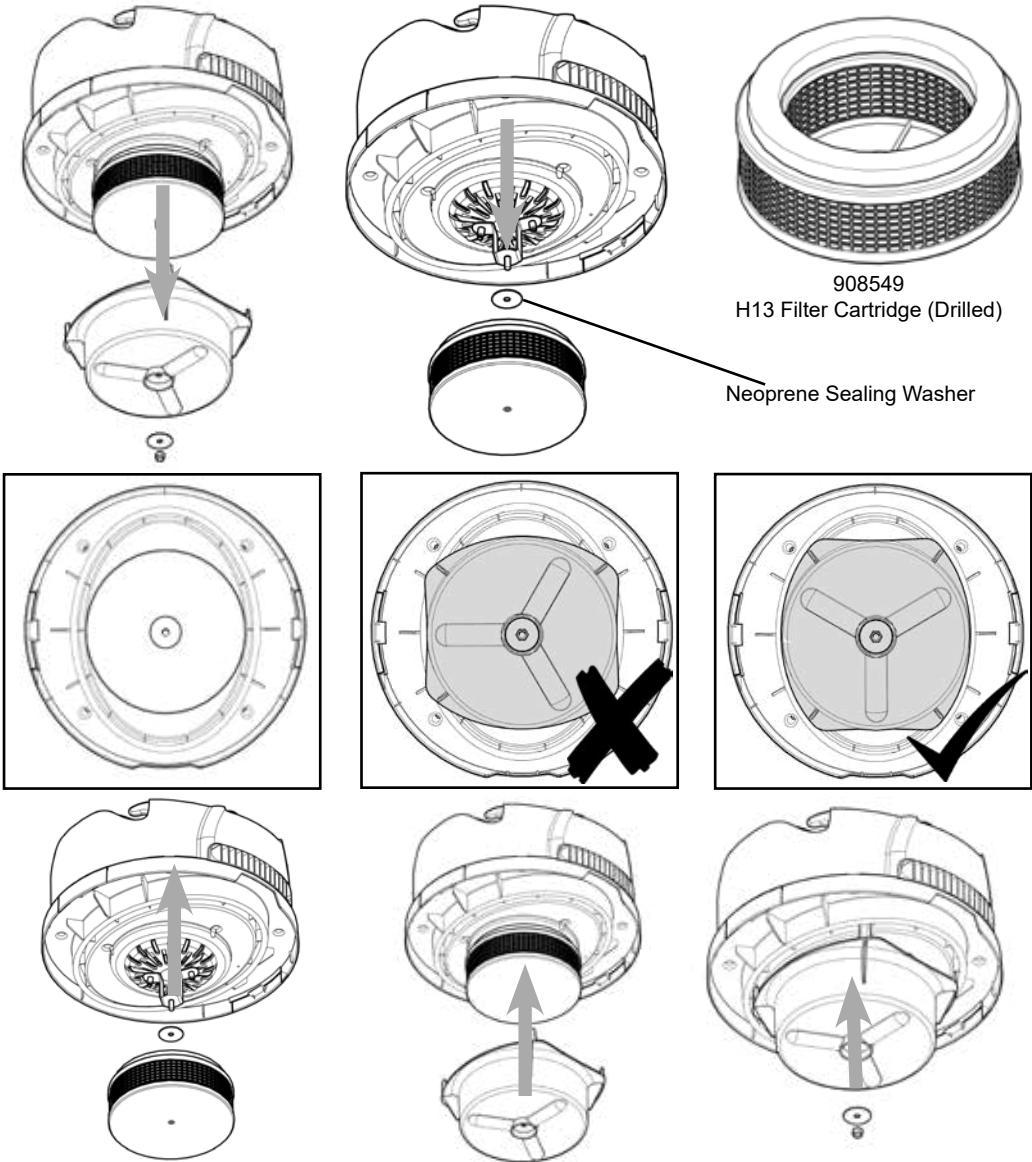


# Replacing the Cartridge Filter

## Replacing HEPA filters process:

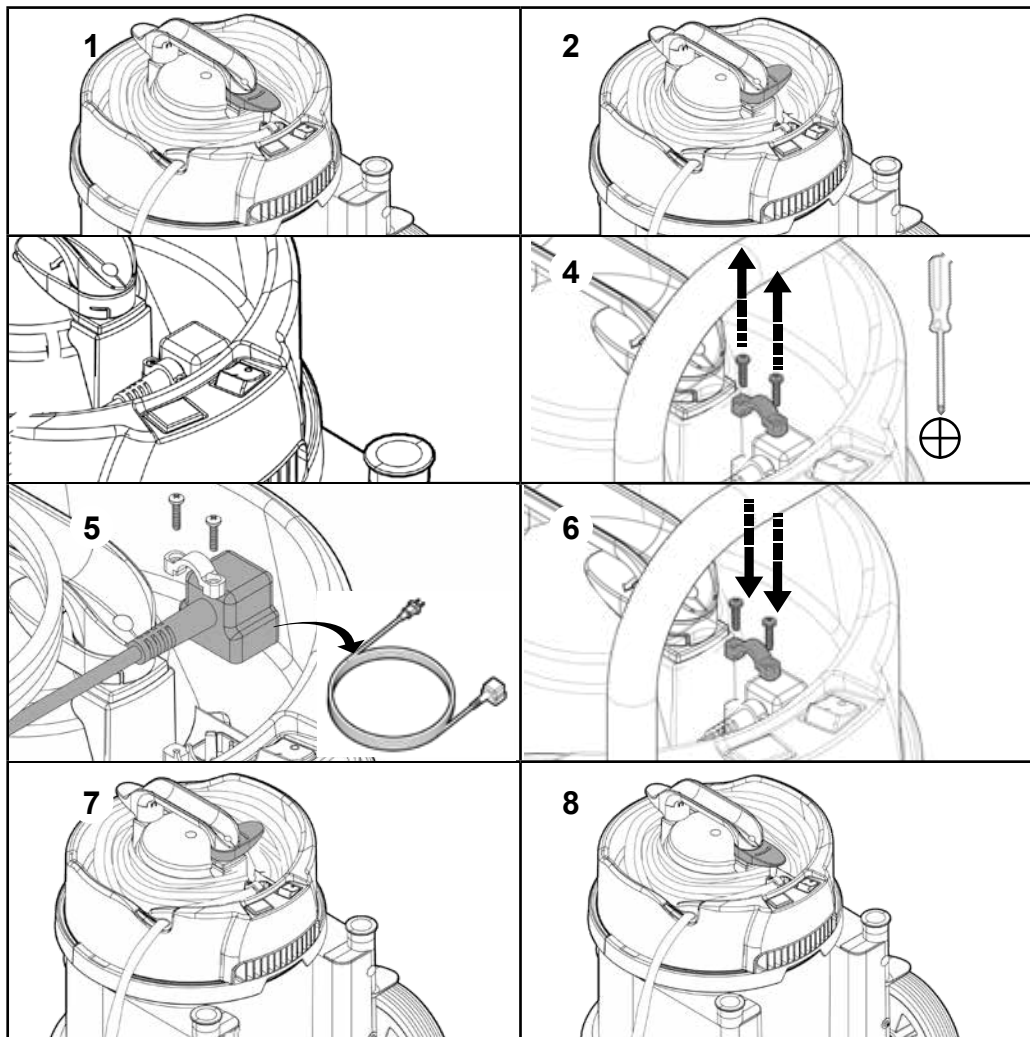
Remove the contaminated HEPA filter and place in a suitably impervious plastic bag and dispose of in accordance with current regulations.

Replace the HEPA filter with an identical Numatic approved part (908549)

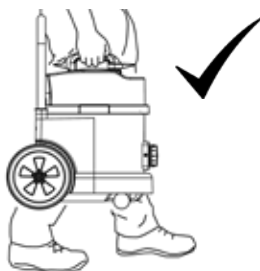




## Changing / Replacing Cable



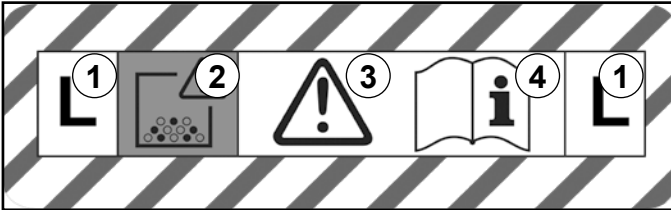
## Moving your machine



# Rating Label

# (EN) About your machine

1	Company Name & Address
2	Model
3	Voltage / Alternating Current
4	Frequency
5	Rated Input Power
6	Weight
7	WEEE Logo
8	Protection Class 2 Symbol
9	Approval Mark
10	Machine yr/wk Serial Number



### L Label Explained

1. L type Vacuum Cleaner.
2. Caution, debris contained inside the vacuum cleaner could be hazardous to health.
3. Caution!
4. Read instructions before use.

### WEEE Legislation (Waste, Electrical and Electronic Equipment)

Vacuum cleaner, accessories and packaging should be sorted for environmentally - friendly recycling.

#### (Only for UK/EU Countries)

Do not dispose of vacuum cleaner into household waste! According to the European Directive 2012/19/EU on waste electrical and electronic equipment and its incorporation into national law.

Vacuum cleaners that are no longer suitable for use must be separately collected and sent for recovery in an environmentally - friendly manner.



### PPE (personal protective equipment). That may be required for certain operations.

Ear Protection	Safety Footwear	Head Protection	Safety Gloves	
Eye Protection	Protective Clothing	Dust / Allergens Protection	Hi Viz Jacket	
Caution Floor Sign				

**NOTE:** A risk assessment should be conducted to determine which PPE should be worn.

Failure to rectify the problem or in the event of a breakdown contact your Numatic dealer or the Numatic Technical helpline +44 (0)1460 269268

### Safety Critical Components

Mains leads: H05VV-F 10 m x 2 Core x 1.0mm<sup>2</sup>  
(110V) H05VV-F 10 m x 2 Core x 1.0mm<sup>2</sup>

**WARNING**

Read the instruction manual before using the machine.

Operators shall be adequately instructed on the use of their machine.

As with all electrical equipment, care and attention must be exercised at all times during use, in addition to ensuring that routine and preventative maintenance is carried out periodically to ensure safe operation.

Failure to carry out maintenance as necessary, including the replacement of parts to the correct standard could render this equipment unsafe and the manufacturer can accept no responsibility in this respect.

Maintenance should only be carried out by a qualified person.

This machine is for DRY USE only and must not be stored outside or used in wet conditions.

The machine shall be disconnected from the mains power by removing the plug from the power supply socket during cleaning or maintenance and when replacing parts or converting the machine to another function.

Only use the socket outlet on the machine for purposes specified in the instructions (if fitted).

This machine is not to be used by children or persons with reduced physical, sensory or mental capabilities, or lack of experience or knowledge.

This appliance is intended to be cleaned and maintained by an adult.

Children being supervised are not to play with the machine.

This machine is not a toy.

This machine is not suitable for picking up biological hazards or explosive dust.

Ensure that the filtration system fitted to the machine is suitable for the material being collected.

**CAUTION**

This vacuum cleaner is intended for indoor use in the collection of dry materials.

This machine should be stored indoors only.

**NOTES**

The primary use for this machine is commercial, for example in hotels, schools, hospitals, factories, shops and offices.

This product complies with the requirements of clause 20 of IEC/EN 60335-2-69 Stability and Mechanical Hazards.

This vacuum cleaner is fitted with a thermal protection device. If the vacuum cleaner stops working, remove the plug from the wall before investigating where the fault lies.

If the vacuum cleaner has a blockage, switch off, remove the plug from the power socket, inspect the floor tool, tubes and hose for debris. If the floor tool, tubes and hose are clear, replace the dust bag and clean the filter.

The vacuum cleaner should be inspected after use for damage.

The vacuum cleaner should be stored in a dry place.

When moving from one place to another, consider the weight of the machine.

**DO**

- Keep your machine clean including hoses and tubes.
- Change dust bag frequently.
- Keep filters clean.
- Keep diffuser filter (where fitted) clean.
- Use filter bags, they will enhance performance and help keep machine clean.
- Use a Numatic Original filter bag under fine dust conditions.
- Keep hoses and tubes clear.
- Replace any worn or damaged parts immediately.
- Only use the brushes provided with the machine. The use of other brushes may impair safety.
- Regularly examine the power cord. If damage is found such as cracking or ageing the power cord must be replaced by a qualified person.
- Only replace the power cord with the correct Numatic approved replacement part.

**DO NOT**

- Pull on the cable to unplug the machine from the power supply.
- Use to suck up hot ashes or lighted cigarette ends.
- Use steam cleaners or pressure washers to clean the machine or use in the rain.
- Immerse in water for cleaning.
- Attempt machine maintenance or cleaning unless the power supply plug has been removed from the supply outlet.
- Use in wet environments or to collect wet materials.
- Under any circumstances place foreign objects including (but not limited to) air fresheners, air freshener capsules or scented beads of any type into the top filter of the machine. Doing so can be dangerous and risk damage to the machine and may invalidate the machine warranty.

**Daily**

Keep the machine clean, including hoses and tubes.

Ensure the bag and filter are fitted.

Regularly examine the power cord.

Check dust bag frequently.

Check filters are clean.

**Weekly - as daily and:-**

Check for any worn or damaged parts and replace immediately.

**Maintenance**

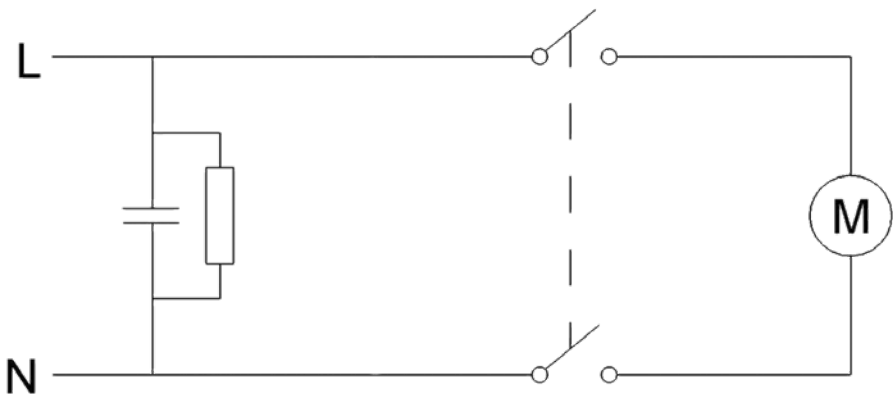


Filter	
604165	TriTex Filter
Hepaflo Filter bag	
604016	10 x Hepaflo Filter bag NVM 2BH
H13 Filter	
908549	H13 Cartridge Filter (Drilled)

Data

Drum Size	Cleaning Range	Weight (Ready to work)	Sound Pressure (LpA) Uncertainty (KpA)	Protection Class	Dimensions (mm)
18 L	28 m	10.8 kg	≤ 70.2 dB (A) 0.5 dB	Class II	450 x 400 x 600 L x W x H
Max. Under pressure		Max Flow rate			
206.5 Mbar / 206.5 (hPa)		29 L / s / 104.4 m³/h			

Schematic Diagram



# Numatic International Warranty

Numatic International Limited warrant to the original purchaser that its products are free of defects in both material or workmanship for the period shown below:-

Homecare and Cleancare Vacuum cleaners.....	2 Years
Rotary Floor Machines.....	2 Years
Twintec Auto Scrubber Dryer.....	1 Year
Vario Ride-On Scrubber Dryer.....	1 Year / 1500 hours
Mopping, Compacts, Combi and Servocare Products.....	1 Year
Individual Accessories and Spare Parts.....	6 Months

*Note: This warranty expressly excludes consumable parts such as carbon brushes, floor brushes, mops, batteries etc, that are considered replaceable from time to time during the normal working life of the machine.*

*Using non Numatic dustbags can be detrimental to both machine performance and life and may invalidate the Warranty.*

- A. The warranty period commences from the date the goods are purchased.*
- B. All warranty claims must be processed through the Dealer from whom the equipment was purchased. The Dealer will co-operate with the purchaser throughout the warranty claims procedure and will arrange any necessary repairs using genuine Numatic parts.*
- C. If the original Dealer is no longer able to fulfil his obligations please contact Numatic International Limited with full details of the claim and proof of purchase so that this may be processed without delay.*
- D. Any warranty claim can only relate to the specific part that is proven to be at fault and for which a replacement will be supplied but cannot be extended to constitute a claim against the complete machine.*
- E. Numatic International will supply the Dealer with any warranty parts required, subject to the claim being validated, after return of the faulty items in accordance with Numatic International Limited's General Conditions of Sale.*
- F. Claims will not be accepted if they are the result of fair wear and tear, misuse or abuse of any kind.*
- G. No replacement will be given unless the appropriate evidence of the validity of the claim has been provided to the satisfaction of Numatic International Limited.*
- H. Numatic International Limited reserve the right to charge for any unnecessary work carried out as a result of an invalid claim.*
- I. No variation to this warranty may be made or implied by any member of Numatic International Limited or its Dealers unless such variation is in writing and authorised by the Company*

# Numatic

Numatic International Limited. Chard, Somerset, TA20 2GB  
Telephone: 01460 68600 Fax: 01460 68458

© Numatic International Limited

UKCA Declaration of Conformity	
<b>Manufacturer:</b>	Numatic International Limited Chard Somerset TA20 2GB www.numatic.co.uk TEL
<b>Description:</b>	Vacuum Cleaner – Commercial – Dry
We, Numatic hereby declare under our sole responsibility, that the above-mentioned product(s) is/are in conformity with the following directives and standards.	
S.I. 2008: 1597	Supply of Machinery Regulations EN60335-1:2012 + AC:2014 + A11:2014 + A13:2017 + A15:2021 EN60335-2-69:2012 EN62233-2:2008
S.I. 2016: 1091	EMC Regulations EN55014-1:2017 + A11:2020 EN55014-2:1997 + A1:2001 + A2:2008 EN61000-3-2:2014 EN61000-3-3:2013
S.I. 2012: 3032	RoHS Regulations

Authorised Signatory: Mr. Matthew Coles  
Position: Head of Technology  
Numatic International Limited,  
Chard,  
Somerset, TA20 2GB, UK

Signed: *M. Coles* Date: 5<sup>th</sup> February 2024

<b>EU, EC, UE, ES:</b> <b>Declaration of Conformity</b> Prohlášení o shodě Conformitätsklärung Ovorná deklarácia Declaração de conformidade Vstavusdeklaratsioon Samsvarserklæring Declaração de conformidade	Декларация о соответствии Душлук ошторфуоци Nyíltváltás a megfelelőségről Attestacja zgodności Conformiteitsverklaring Samsvarserklæring Declaração de conformidade	Декларация о соответствии Машин ошторфуоци Nyíltváltás a megfelelőségről Attestacja zgodności Conformiteitsverklaring Samsvarserklæring Declaração de conformidade	<b>Numatic International Limited</b> Chard Somerset TA20 2GB www.numatic.co.uk TEL
<b>Manufacturer / Virastaja / Hersteller / Fabrikant / Tootja / Производител / Кироосуомтсе / Esattor / Fabricante / Gaministas / Fabrikant / Producent / Fabricante / Producent / Производители / Tilvitkare / Proizvajalci / Valmistaja:</b>	<b>Product / Produkt / Produk / Produkto, Toode / Produkt / Itseizone / Пазовик / Produkt / Produkts / Gadget / Pate / Beschreibungen / Poiss / Beschreibung / Beskrivelse / Descripción / Krijevus / la description / Описание / Περιγραφή / Leitris / Descripción / Aphudionimas / Оmschrijving / Beskrivelse / Descrição / Opis / Descriere / Omschrijving / Beskrivning / Opis / Kuvaus:</b>	Numatic International Limited Chard Somerset TA20 2GB www.numatic.co.uk TEL	
<b>EN</b> We, Numatic hereby declare under our sole responsibility, that the above-mentioned product(s) is/are in conformity with the following directives and standards.	<b>BG</b> Ние, Numatic С напълно отговорно дeклapиpамe на cтарo зeмля oтoтoрнoсь, чe нaшeтoт пpодукт/пpодукти cъoтвopявaт/ce oтвopявaт cъcтoяcъщe мeди cъoтвopявaния и cтaндapти.	<b>PT</b> Nós, a Numatic declaramos, sob nossa exclusiva responsabilidade, que o produto mencionado encontra-se em conformidade com as diretivas e normas a seguir.	<b>PL</b> My, Numatic Należy tym oświadczamy z pełną odpowiedzialnością, że wójei następujący produkt jest zgodny z wymaganymi dyrektywami i normami.
<b>CS</b> My, Numatic přebíráme na svou vlnuotu ođpovídnoté, že výřvó uvedené výrobky je ve shodě s následujícími směrnici a normami.	<b>EL</b> Εγώ, η Numatic δηλώνω με πλήρη ευθύνη ότι ο παραπάνω προϊόν είναι συμμόρφωση με τα απαιτούμενα πρότυπα, οδηγίες και κανονισμούς.	<b>RO</b> Noi, Numatic Prin prezenta declaratiie prin propria răspundere, că produsul mai sus menționat este în conformitate cu directivele și standardele aplicabile.	<b>RU</b> Мы, Numatic Nаши́м оу́мом oтвopяем нoу, чe нaшeтoр пpодукт/пpодукты cъoтвopявaт cъoтвopяcъщe мeди cъoтвopявaния и cтaндapти.
<b>DE</b> Wir, Numatic erklären in allerer Verantwortung, dass das oben genannte Produkt in Übereinstimmung mit den geltenden Normen entspricht.	<b>HU</b> Mi, Numatic kijelentem, egyedül felelősségemmel, hogy a fent említett termék megfelel az alkalmazandó irányelvről, és szabványokról.	<b>SV</b> Vi, Numatic förklarar härmed under ersonligt ansvar, att den ovan nämnda produkt är i överensstämmelse med tillämpliga direktiv och normer.	<b>SV</b> Vi, Numatic förklarar härmed under personligt ansvar, att den ovan nämnda produkt är i överensstämmelse med tillämpliga direktiv och normer.
<b>ES</b> Nosotros, Numatic declaramos, bajo nuestra exclusiva responsabilidad, que el producto mencionado está en conformidad con las siguientes directivas y normas.	<b>IT</b> Noi, Numatic dichiariamo che la propria responsabilità, che il prodotto di cui sopra è conforme alle seguenti direttive e norme.	<b>NI</b> Mes, Numatic pārebīskām vienlaidīgāki otepebildotā atbildībā, ka minētais produkts atbilst šīm direktīvām ir standarta.	<b>SV</b> Vi, Numatic förklarar härmed under personligt ansvar, att den ovan nämnda produkt är i överensstämmelse med tillämpliga direktiv och normer.
<b>ET</b> Meie, Numatic käsitame kogu vastutusega selle eest, et eespool mainitud tooted on kooskõlas järgmistega direktiivide ja normidega.	<b>NL</b> We verklaren Numatic hierbij op eigen verantwoordelijkheid, dat het bovengenoemde product voldoet aan de desbetreffende richtlijn en normen.	<b>SI</b> Mi, Numatic izjavljamo s polno odgovornostjo, da je zgoraj omenjeni izdelek v skladu z naslednjimi smernicami in normami.	<b>SI</b> Mi, Numatic izjavljamo s polno odgovornostjo, da je zgoraj omenjeni izdelek v skladu z naslednjimi smernicami in normami.
<b>FR</b> Numatic déclare sous notre seule responsabilité, que le produit mentionné ci-dessus est conforme aux directives et normes suivantes.	<b>NO</b> Vi, Numatic erklærer herved under ansvar at ovennevnte produkt er i overensstemmelse med følgende direktiver og standarder.	<b>FI</b> Me, Numatic olem vastuullamme omalla vastuvuotokumme, että yllämainittu tuote on mukautettuna sovelletuista direktiivien ja standardien mukaisesti.	<b>FI</b> Me, Numatic olem vastuullamme omalla vastuvuotokumme, että yllämainittu tuote on mukautettuna sovelletuista direktiivien ja standardien mukaisesti.

<b>2006/42/EC</b>	<b>Machinery Directive</b> A15:2021 EN60335-2-69:2012 EN5233-2:2008	<b>EN60335-1:2012 + AC:2014 + A11:2014 + A13:2017 + A15:2021</b>
<b>2014/30/EU</b>	<b>EMC Directive</b> EN55014-1:2017 + A11:2020 EN55014-2:1997 + A1:2001 + A2:2008 EN61000-3-2:2014 EN61000-3-3:2013	<b>EN55014-1:2017 + A11:2020</b> <b>EN55014-2:1997 + A1:2001 + A2:2008</b> <b>EN61000-3-2:2014</b> <b>EN61000-3-3:2013</b>
<b>2011/65/EU</b>	<b>RoHS Directive</b>	

Authorised Signatory: Mr. Matthew Coles  
*M. Coles*  
Position: Head of Technology  
Numatic International Limited  
Chard,  
Somerset, TA20 2GB, UK

Signed: *M. Coles* Date: 5<sup>th</sup> February 2024



numatic.com

**Numatic International Limited (Head Office)**

Chard, Somerset TA20 2GB, UNITED KINGDOM  
Tel: 01460 68600 numatic.com

**Numatic International GmbH**

Fränkische Straße 15-19, 30455 Hannover, DEUTSCHLAND  
Tel: +49 (0) 511 984 2160 numatic.de

**Numatic International Denmark**

Fränkische Straße 15-19, 30455 Hannover, DEUTSCHLAND  
Tel: +45 (0) 316 40808 numatic-online.dk

**Numatic International S.A.S**

13/17 rue du Valengelier, EAE la Tuilerie, 77500 Chelles, FRANCE  
Tel: +33 (0) 164 726 161 numatic.fr

**Numatic International BV**

Vennootsweg 15, 2404 CG, Alphen aan den Rijn, NEDERLAND  
Tel: +31 (0) 172 467 999 numatic.nl

**Numatic International Schweiz AG.**

Sihlbruggstrasse 3A, 6340 Baar, SCHWEIZ  
Tel: +41 (0) 41 768 0760 numatic.ch

**Numatic International (PTY) Ltd.**

Cnr. 16th & Pharmaceutical Road, Randjes Park, Midrand 1685, SOUTH AFRICA  
Tel: +27 (0) 861 686 284 numatic.co.za

**Numatic International ULDA**

Rua Francisco da Silva Duarte, nº79,  
4475-269 Santa Maria de Avioso, Castelo da Maia, PORTUGAL  
Tel: +351 220 047 700 numatic.pt

**NUMATIC INTERNATIONAL SPAIN, S.L.U.**

Av. Baix Llobregat, 5-7, Oficina bajos 1 (Parc Negocis Mas Blau II),  
08820 El Prat de Llobregat (Barcelona) SPAIN  
Tel: +34 93 647 22 22 numatic.es

**Numatic International Italy S.R.L**

Via Luigi Galvani, 2, Z.I. Talponedo, 33080 Porcia (PN), ITALY  
Tel: +39 (0) 434 046 211 numatic.it

Specification subject to change without prior notice  
numatic.com © Numatic International Limited