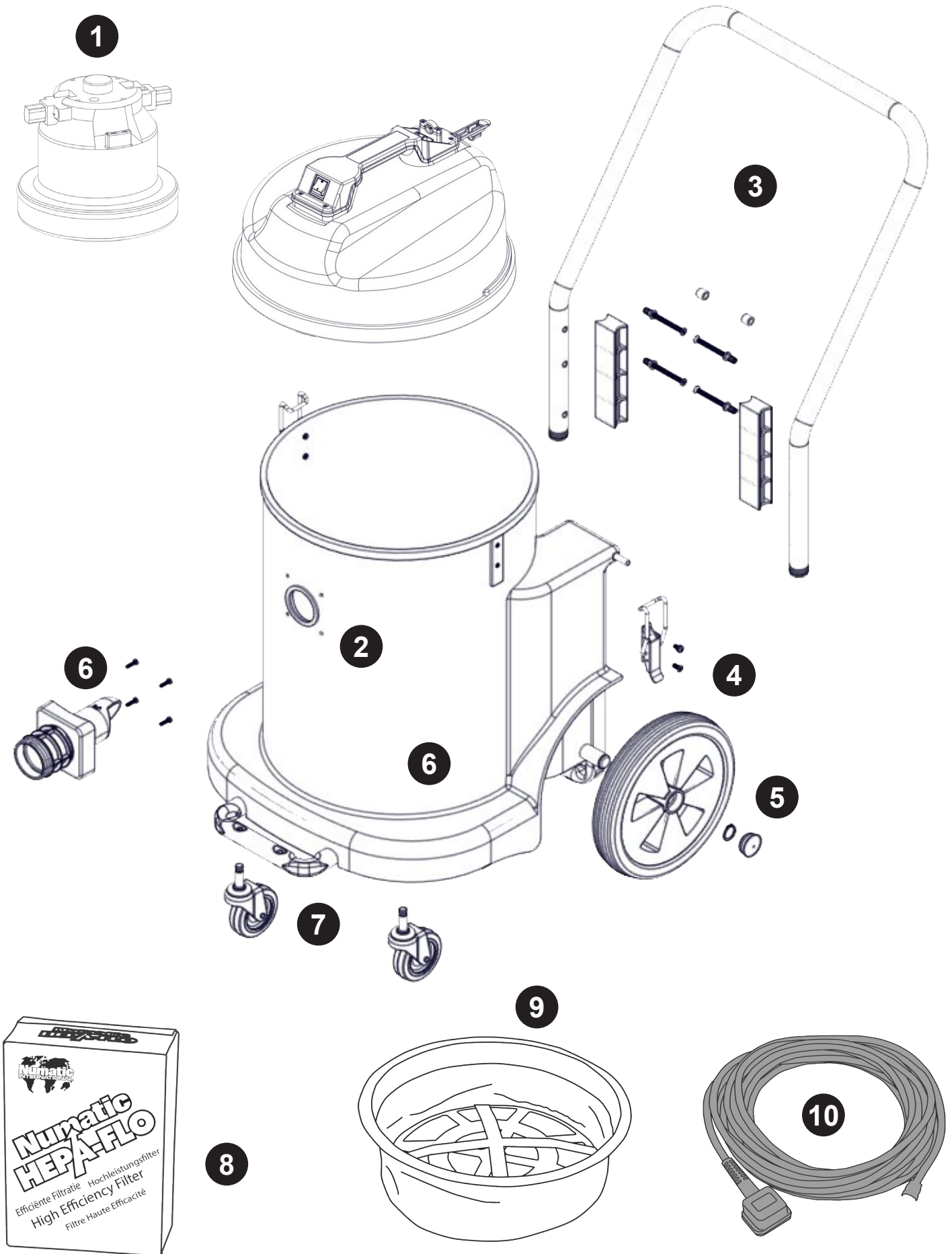


# NVQ900 NVDQ900 Exploded Spares

DRY BIG CAPACITY VACUUMS



## NVQ 900

Num	Description	Num
1	230V 2 STAGE + TCO (DL21104T) MOTOR ASSY (NVQ) 2CR (UK)	<b>323242</b>
	230V 2 STAGE + TCO MOTOR ASSY (NVQ) 2CR (EU)	<b>323342</b>
	120V 2 STAGE + TCO (DL21101T) MOTOR ASSY (NVQ)	<b>323442</b>
	230V 2 STAGE THRU FLOW TAPER FAN MOTOR (DL21104T) TCO (RSA)	<b>205403</b>
2	NVQ900 RED DRUM ASSEMBLY	<b>525070</b>
3	900 HANDLE ASSEMBLY (INSERTED + END STOPS)	<b>329169</b>
	SPACER SCFX	<b>21985V</b>
	M6.70MM LG.POZI-PAN.SCREW.Z/PL.C/SUNK	<b>219422</b>
	HANDLE BLOCK SPACER	<b>206128</b>
4	BLACK TOGGLE FASTENER 30-1665 MSBL	<b>206135</b>
	M5x.10MM LG.POZI-PAN.SCREW.Z/PL.SEM	<b>219047</b>
	M5.12MM LG.POZI-PAN.SCREW.Z/PL.C/SUNK	<b>219330</b>
5	10 INCH WHEEL(BLACK/GREY) 20MM BORE	<b>204028</b>
	BLACK PLASTIC CAP 804029	<b>206131</b>
	CIRCLIP A20	<b>219308</b>
6	BAG CONNECTOR BLACK	<b>277004</b>
	BAYONET SEAL	<b>202102</b>
	NVQ/NVDQ BAYONET BAG CONNECTOR TUBE (DRY)	<b>237648</b>
7	3 INCH STEM FITTING CASTOR	<b>204060</b>
8	BOX OF 10 NVM-4BH HEPAFLO BAGS	<b>604019</b>
9	4/750/575 WHITE FILTER + RING (NVM-13B)	<b>207166</b>
	14 INCH RED FILTER ASSEMBLY	<b>502152</b>
10	10 METRE X 1MM X 2 CORE YELLOW CABLE (SOCKET WITH UK PLUG)	<b>911549</b>
	10.0MT X 1MM X 2 CORE YELLOW CABLE (SOCKET + PLUG) EURO	<b>236123</b>
	10 METRE X 1.5MM X 2 CORE YELLOW CABLE WITH 16AMP INDUSTRIAL PLUG	<b>911551</b>
	MAINS CABLE.YELLOW.10000.1m5.2.15 AMP SOUTH AFRICAN PLUG.16A	<b>911753</b>

**NVDQ 900**

<b>Num</b>	<b>Description</b>	<b>Num</b>
1	230V 2 STAGE (DL21104) DUPLEX MOTOR ASSY (NVDQ) (UK)	<b>323214</b>
	230V 2 STAGE (DL21104) DUPLEX MOTOR ASSY (NVDQ) (EU)	<b>323212</b>
	120V 2 STAGE (DL21101) DUPLEX MOTOR ASSY (NVDQ)	<b>323119</b>
10	MAINS CABLE.YELLOW.10000.1m5.2.UK PLUG.10A SOCKET PLUG	<b>911816</b>
	10.0MT X 1.5MM X 2 CORE YELLOW CABLE (SOCKET + PLUG) EURO	<b>236144</b>
	MAINS CABLE.YELLOW.10000.2m5.2.INDUSTRIAL 32A PLUG.STRIPPED	<b>911743</b>
	10.0MT X 1.5MM X 2 CORE CABLE (SOCKET + PLUG) SOUTH AFRICA	<b>236149</b>

**(916230 Kit BS2)**

<b>Item Description</b>	<b>Part Number</b>
2.4m NuFlex Threaded hose	602102
38mm Stainless Steel tube Set	602917
400MM PROFLO BRUSH/RUBBER PICK UP FLOOR TOOL. PFB-400 (38MM)	602384
65mm Dusting Brush	602256
305mm Crevice Tool	602160

Numatic International Limited. Chard, Somerset TA20 2GB  
ENGLAND Tel: 01460 68600 [www.numatic.co.uk](http://www.numatic.co.uk)

Numatic International GmbH. Fränkische Straße 15–19. D-30455 Hannover,  
DEUTSCHLAND Tel: 05 11 98 42 16 0 [www.numatic.de](http://www.numatic.de)

Numatic International SAS. 13 / 17 rue du Valengelier. EAE La Tuilerie – 77500  
CHELLES, FRANCE Tel: 01 64 72 61 61 [www.numatic.fr](http://www.numatic.fr)

Numatic International BV. Vennootsweg 15, 2404 CG, Alphen aan den Rijn,  
NEDERLAND Tel: 0172 467 999 [www.numatic.nl](http://www.numatic.nl)

Numatic International (Pty.) Ltd. 16th & Pharmaceutical Roads, Midrand, Gauteng,  
SOUTH AFRICA 1685 Tel: 0861 686 284 [www.numatic.co.za](http://www.numatic.co.za)

Numatic International Schweiz AG. Sihlbruggstrasse 3A, 6340 Baar.  
SCHWEIZ Tel: 0041 (0) 41 76 80 76 - 0 [www.numatic.ch](http://www.numatic.ch)

Numatic International ULDA. Rua da Boa Viagem, 177. 4470.210 Maia.  
PORTUGAL Tel: +351 220 047 700 [www.numatic.pt](http://www.numatic.pt)

Numatic International SLU. C/ La Forja, 41, 08840 Viladecans. (Barcelona),  
SPAIN Tel: +34 93 647 22 22 [www.numatic.es](http://www.numatic.es)

Numatic International DENMARK. Fränkische Straße 15–19. D-30455 Hannover,  
DEUTSCHLAND Tel: 05 11 98 42 16 0 [www.numatic-online.dk](http://www.numatic-online.dk)