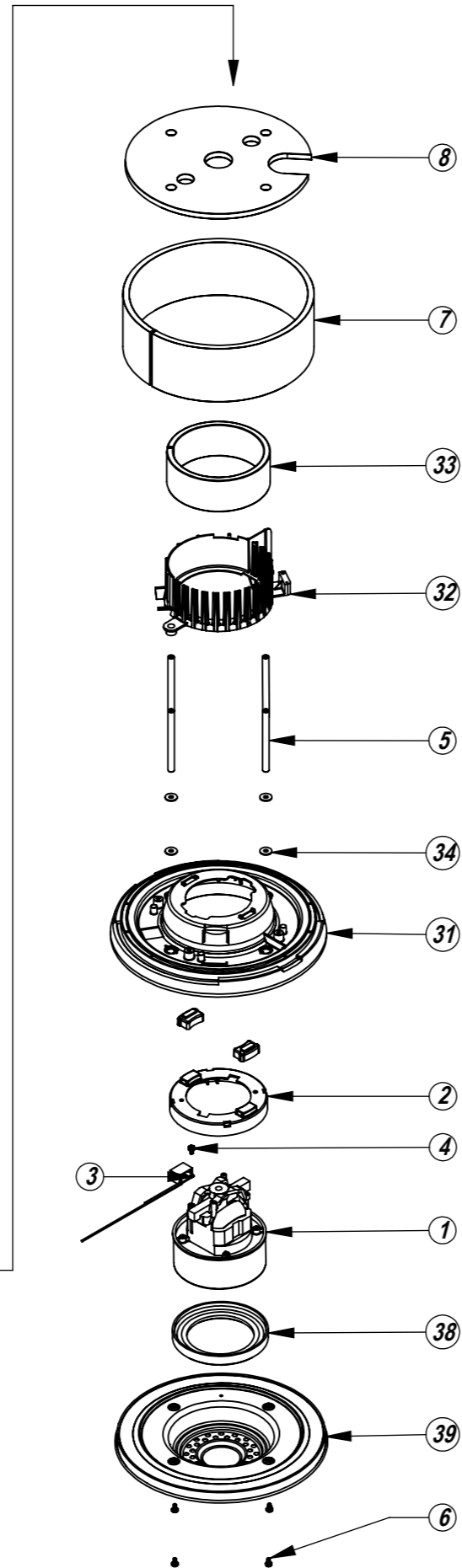
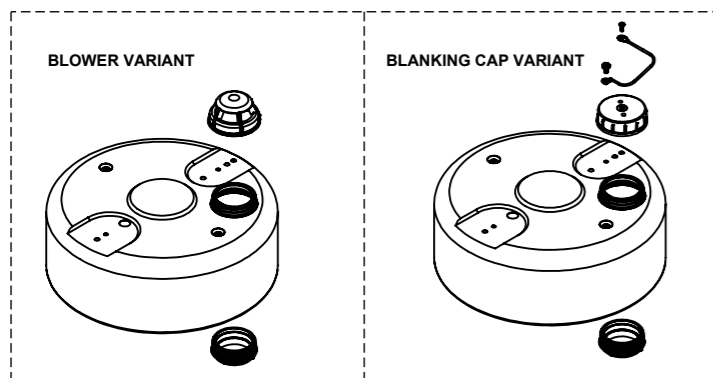
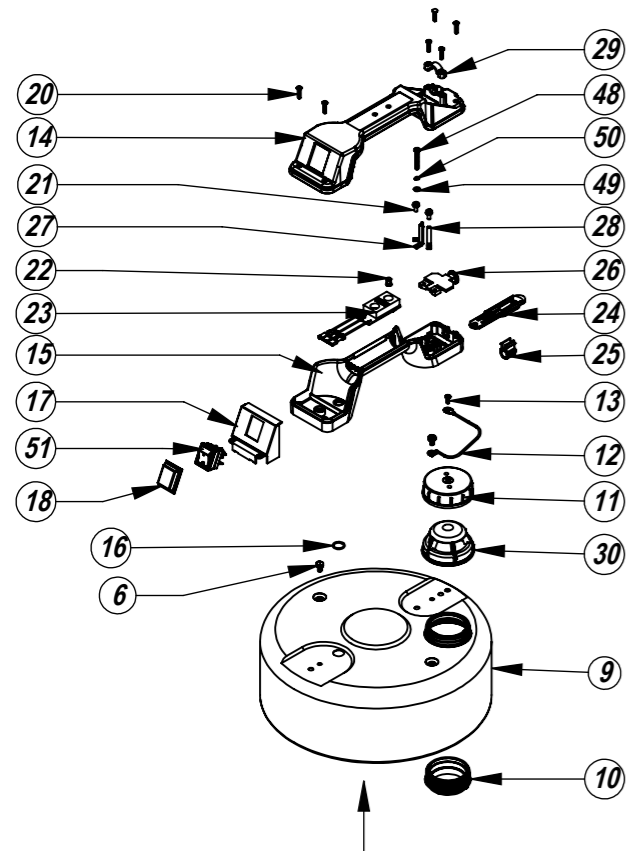
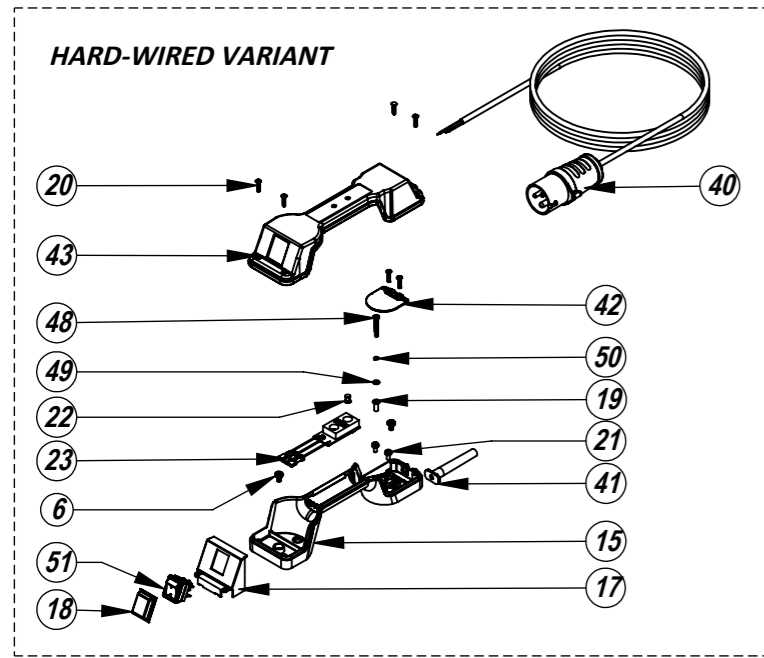


# Numatic International Spare Parts

**Model No:** HEAD STYLE 21 - 2 STAGE 1 SPEED EXPLODED ASSEMBLY

**Models:** HZ, HZQ

Internal Code: 911679  
 DRAWING: DRW-19698 ISS:A20  
 17/03/2020



# Numatic International Spare Parts

**Model No:** HEAD STYLE 21 - 2 STAGE 1 SPEED EXPLODED ASSEMBLY

ITEM NO.	PART NUMBER	DESCRIPTION	QTY	COMMENTS:
1	205403	230V 2 STAGE THRO FLOW TAPER FAN MOTOR (DL21104T) TCO	1	230V VARIANT
	205401	120V 2 STAGE THRO FLOW TAPER FAN MOTOR (DL21101T) TCO		115V VARIANT
2	227886	MOTOR SPACER (AMETEK DAF MOTOR)	1	
3	230074	DELTA SUPPRESSOR (LAMB MOTOR)	1	
4	219858	M5 x 8MM HEX WASHER FACED TAPFIX (DIN7500D)	1	
5	208003	115MM LONG ALUMINIUM SPACER	4	
6	219047	M5 X 10MM LONG POZI PAN SEMS SCREW	8	
7	303024	HZ 250/300/350 SIDE FELT PUNCHED	1	
8	303026	TOP FELT PUNCHED	1	
9	401704	BLACK HEAD TOP	1	
10	227029	END FITTING	1	
11	206363	BLANKING CAP	1	BLANKING CAP VARIANT
12	-	CAP IN POSITION	1	
13	219301	No6 X 3/8 INCH LONG POZI PAN SELF TAP SCREW	1	
14	320678	HANDLE COVER DRILLED FOR HZ (PLUGGED) 10 AMP 3 PIN	1	PLUGGED VARIANT
15	904996	HANDLE BASE 2 INSERTS	1	
16	219363	O-RING	1	
17	227635	SWITCH MOUNTING BRACKET (1 SWITCH)	1	
18	206573	SWITCH COVER (PLUG HANDLE)	1	
19	220078	BRASS EARTHING SPACER	1	
20	219107	NO6.5/8 INCH LG.POZI-PAN.SCREW.Z/PL.PLASTITE	6	
21	291151	M4 X 10MM LONG T20 SEMS SCREW Z/PL - PRODUCT CODE 8.8 - TX20 HEAD	2	
22	220381	AMBER LENS	1	
23	909213	LOW FLOW INDICATOR PCB ASSEMBLY 230V	1	230V VERSION
	220678	LOW FLOW INDICATOR PCB ASSEMBLY 115V		115V VERSION
24	227636	STRAIN RELIEF ARM (SOCKET)	1	PLUGGED VARIANT
25	227637	CABLE CLIP	1	
26	227631	TERMINAL COVER & CLAMP (3 PIN)	1	
27	206563	EARTH CONTACT PIN	1	
28	206562	CONTACT PIN	2	
29	227564	CABLE CLAMP 10A PLUGGED V83 ONLY	1	
30	604151	AIR DIFFUSER FOR BLOWER TYPES (NQS)	1	BLOWER VARIANT
31	225136	NVQ TOP MOTOR HOUSING (PLASTIC) AMETEK MOTOR	1	
32	227883	NOISE REDUCTION POD (AMETEK TWO STAGE MOTOR)	1	
33	203020	NVQ/NQS POD SIDE FELT (LAMB MOTOR)	1	
34	219876	1/4 X 3/4 X 16G PLAIN WASHER TABLE 5 ZINC PLATED	4	
38	227882	TWO STAGE BOTTOM MOTOR GASKET (AMETEK MOTOR)	1	
39	401348	NVQ/NQS BMH PAINTED BLACK	1	
40	220911	12.5M X 2.5MM X 3 CORE CABLE (32AMP INDUSTRIAL PLUG)	1	HARDWIRED VARIANT CONTACT NUMATIC FOR DETAILS
41	220923	STRESS RELIEF	1	HARDWIRED VARIANT
42	220131	CABLE CLAMP	1	
43	320827	HANDLE COVER DRILLED FOR HZ (HARD WIRED)	1	
44	236010	10.0M X 1.00MM X 3 CORE NUCABLE (UK PLUG)	1	PLUGGED VARIANT CONTACT NUMATIC FOR DETAILS
	236014	10.0M X 1.00MM X 3 CORE NUCABLE (EURO PLUG)		
	236018	10.0M X 1.00MM X 3 CORE NUCABLE (SWISS PLUG)		
	236022	10.0M X 1.00MM X 3 CORE NUCABLE (SOUTH AFRICAN PLUG)		
	236030	10.0M X 1.00MM X 3 CORE NUCABLE (AUSTRALIAN PLUG)		
	236050	10.0M X 1.00MM X 3 CORE NUCABLE (INDUSTRIAL PLUG)		
48	219321	M4 X 30MM LONG POZI PAN SCREW	1	
49	219206	M4 FORM A WASHER	1	
50	219021	M4 SINGLE COIL WASHER	1	
51	220552	RED ROCKER SWITCH (WHITE PRINT)	1	
52	227885	NVQ MOUNTING RUBBER (AMETEK MOTOR)	2	