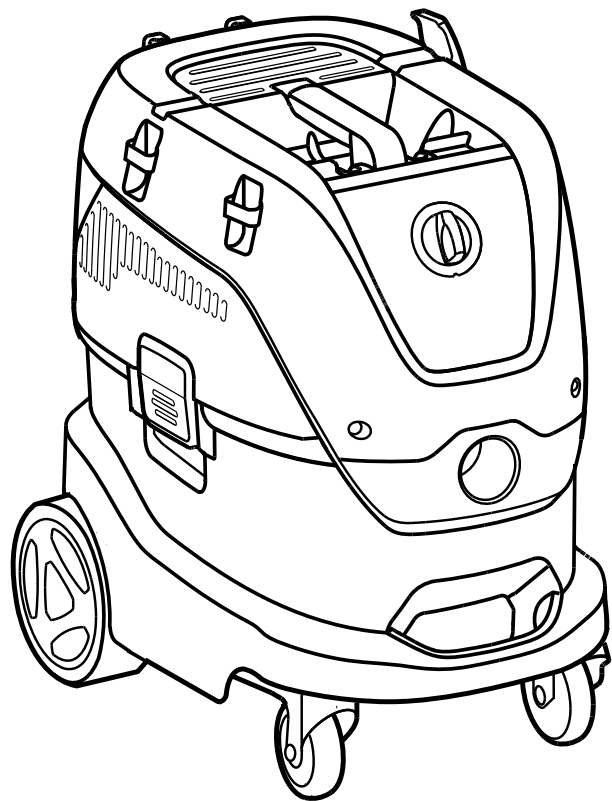
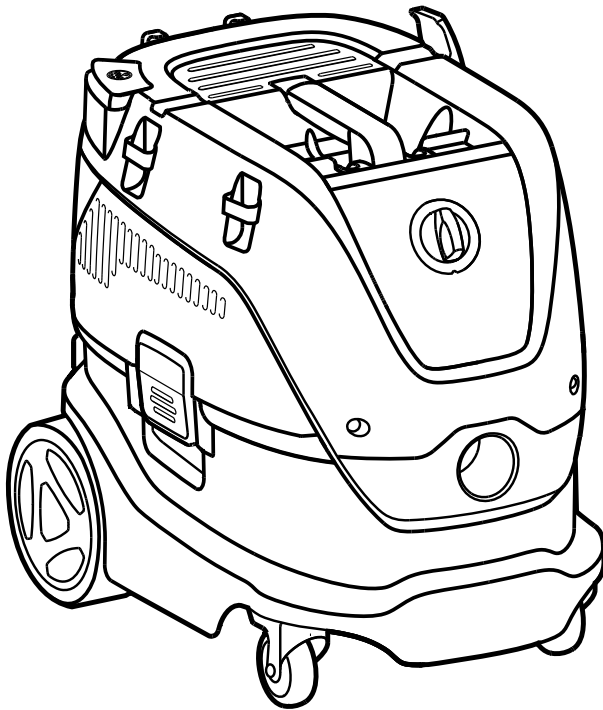


# VHS 40 - VHS 42

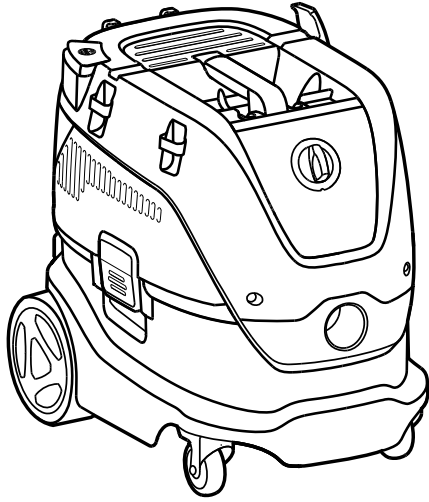
# VHS 40 LC - VHS 42 LC

## Instructions for use

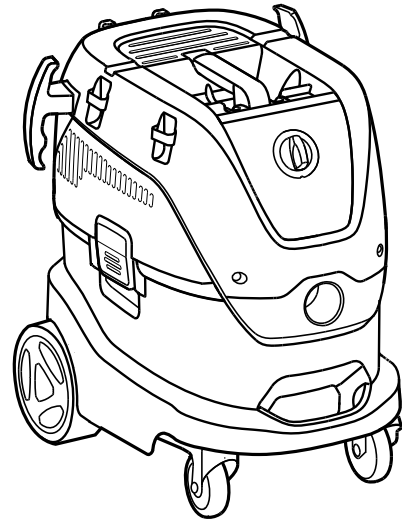


<b>EN</b>	Operating instructions .....	1
<b>DE</b>	Bedienungsanweisungen .....	10
<b>FR</b>	Instructions de fonctionnement .....	20
<b>NL</b>	Gebruiksaanwijzingen .....	30
<b>IT</b>	Istruzioni per l'uso .....	39
<b>NO</b>	Bruksanvisning .....	49
<b>SV</b>	Bruksanvisning .....	58
<b>DA</b>	Betjeningsvejledning .....	67
<b>FI</b>	Käyttöohje .....	76
<b>ES</b>	Instrucciones de funcionamiento .....	85
<b>PT</b>	Instruções de Funcionamento .....	95
<b>EL</b>	Οδηγίες λειτουργίας .....	105
<b>TR</b>	Kullanma Talimatları .....	115
<b>SL</b>	Navodila za delovanje .....	125
<b>HR</b>	Upute za uporabu .....	134
<b>SK</b>	Návod na obsluhu .....	143
<b>CS</b>	Návod k obsluze .....	153
<b>PL</b>	Instrukcje dotyczące obsługi .....	162
<b>HU</b>	Használati útmutató .....	172
<b>RO</b>	Instrucțiuni de utilizare .....	182
<b>BG</b>	Указания за експлоатация .....	192
<b>RU</b>	Руководство по эксплуатации .....	202
<b>ET</b>	Tööjuhised .....	212
<b>LV</b>	Norādījumi par ekspluatāciju .....	221
<b>LT</b>	Naudojimo instrukcija .....	230
<b>JA</b>	作手順.....	239
<b>ZH</b>	操作说明 .....	248
<b>KO</b>	사용법.....	255
<b>TH</b>	คำแนะนำการใช้งาน .....	263
<b>MS</b>	Arahan Operasi.....	272

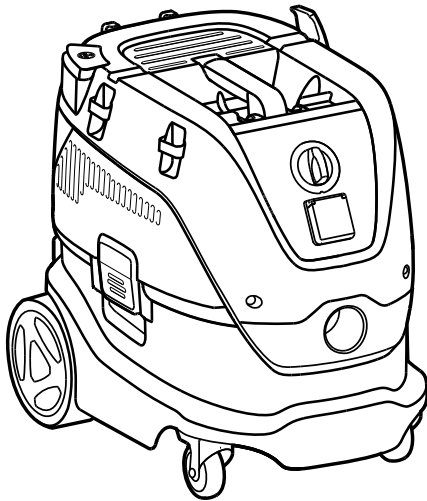
**VHS 40 L30 PC**  
**VHS 40 L30 LC FM PC**



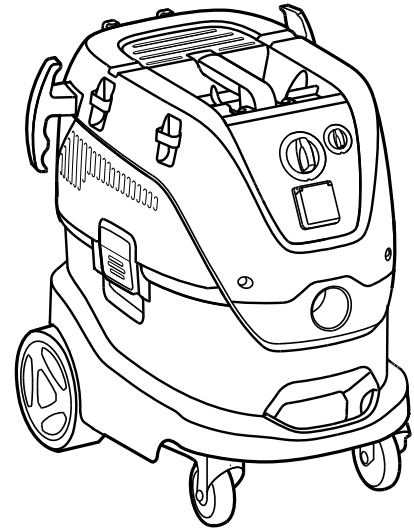
**VHS 40 L40 IC**  
**VHS 40 L40 LC FM IC**



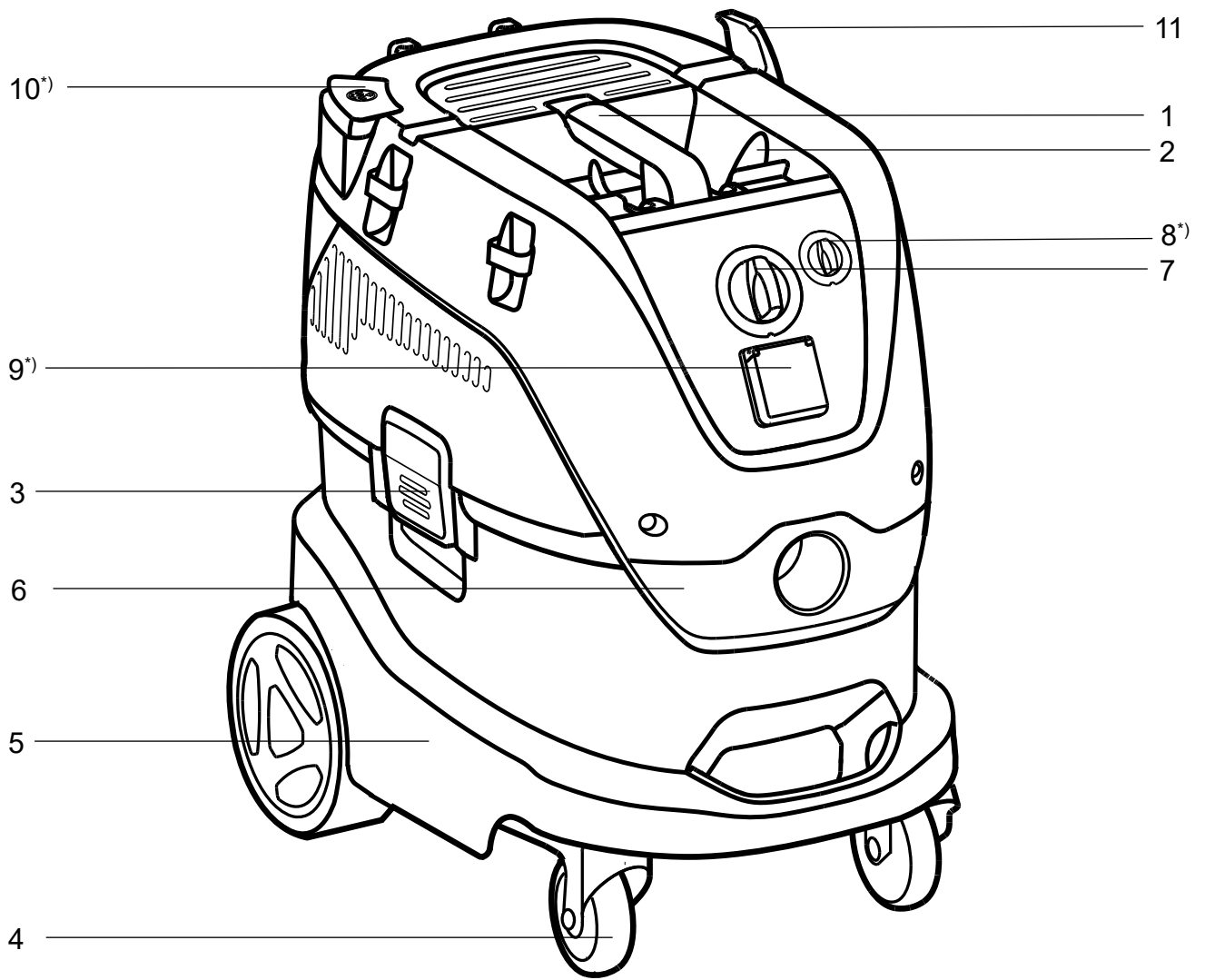
**VHS 42 L30 PC**  
**VHS 42 L30 LC FM PC**



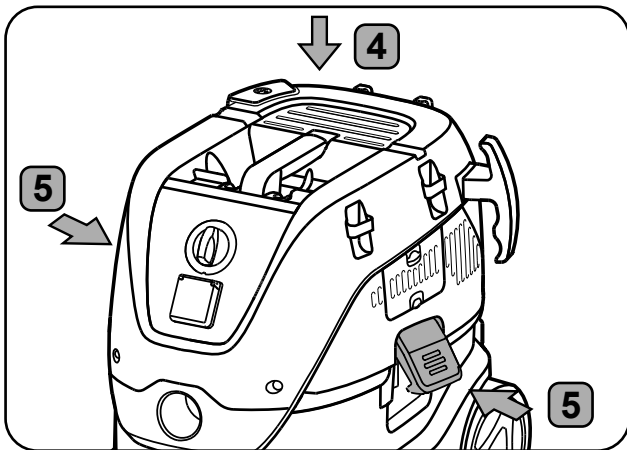
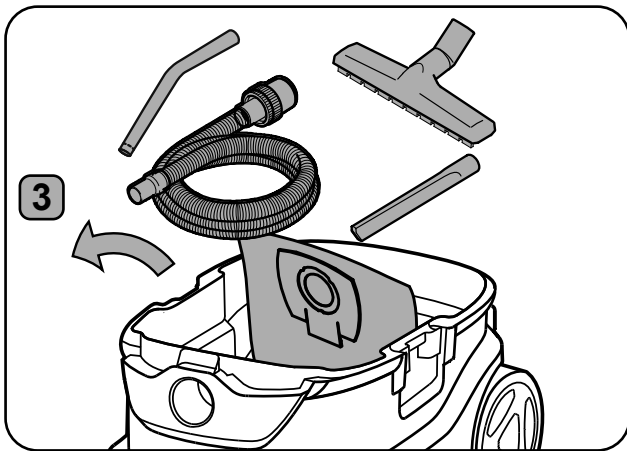
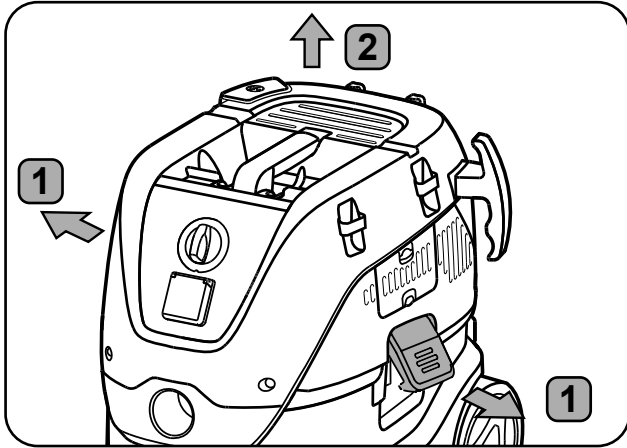
**VHS 42 L40 IC**  
**VHS 42 L40 LC FM IC**



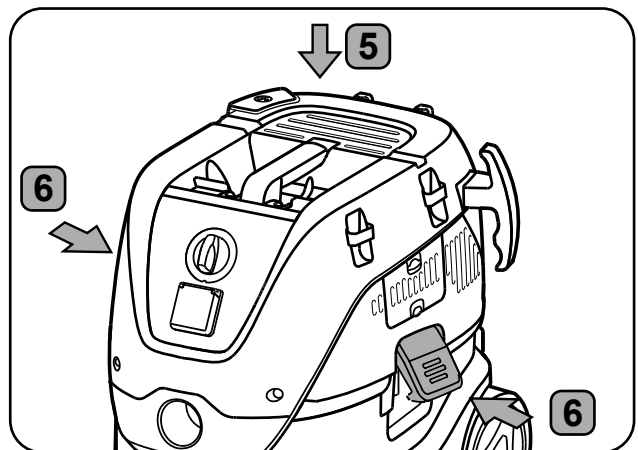
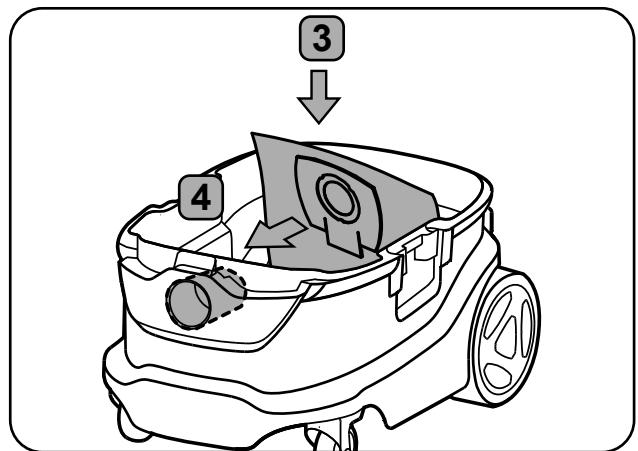
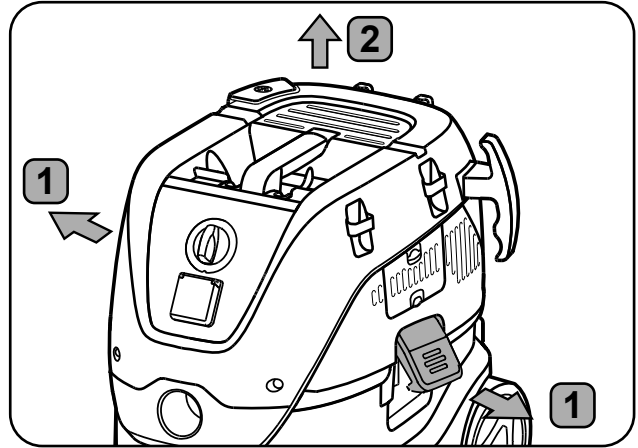
# Operating elements



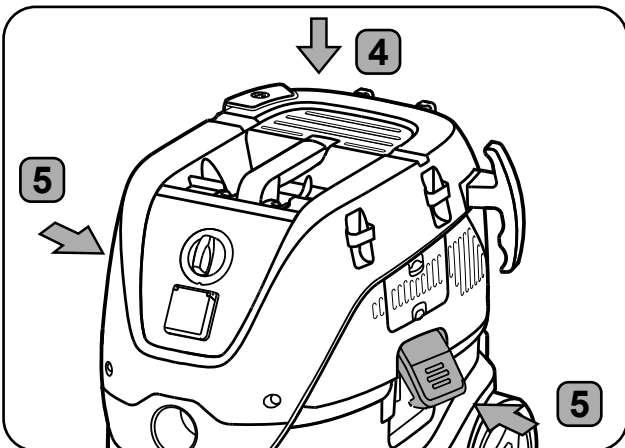
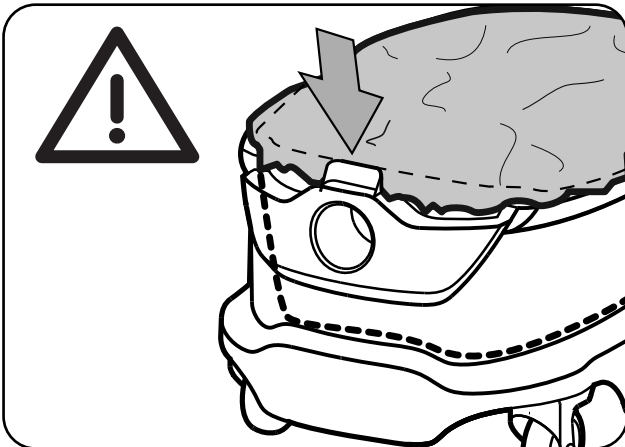
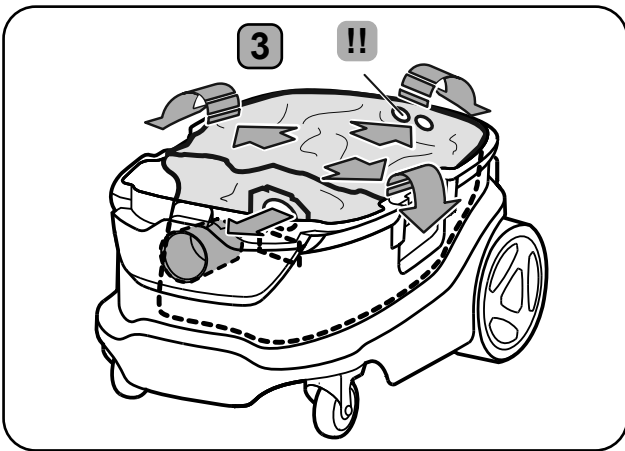
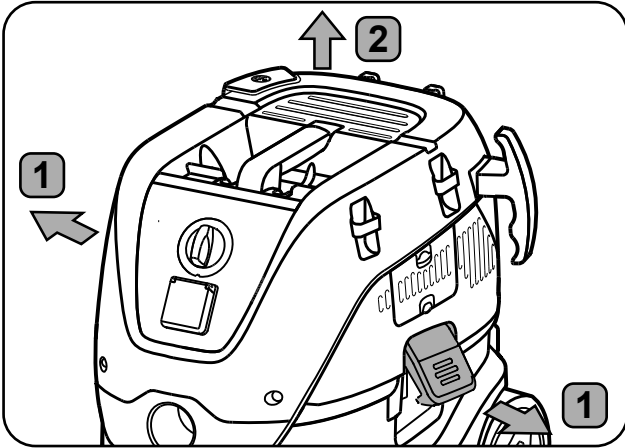
1A)



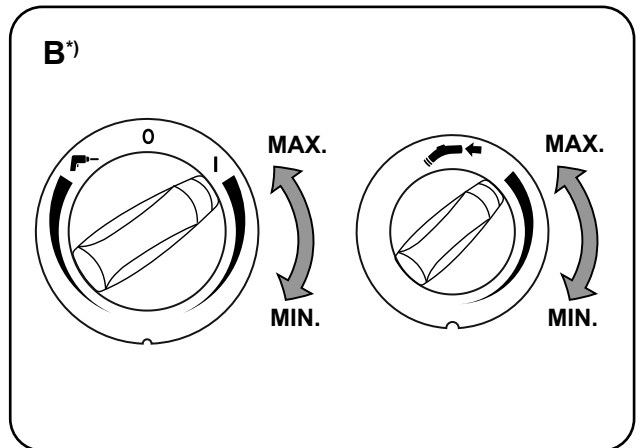
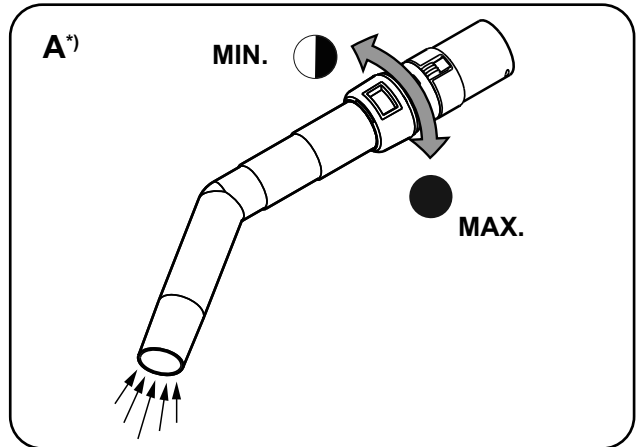
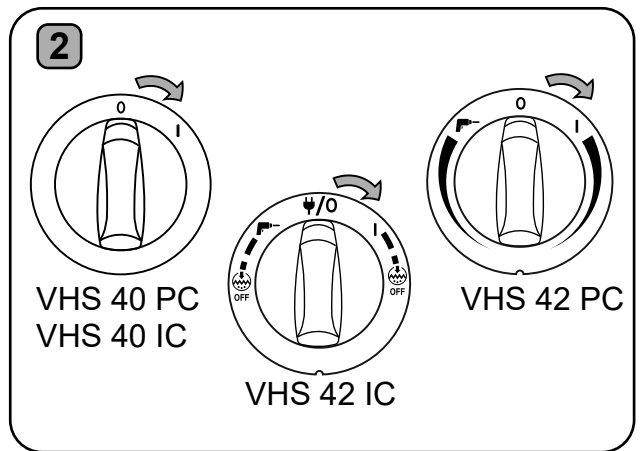
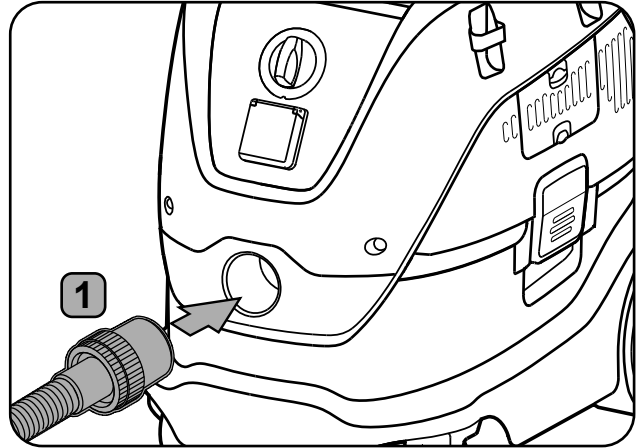
2A)



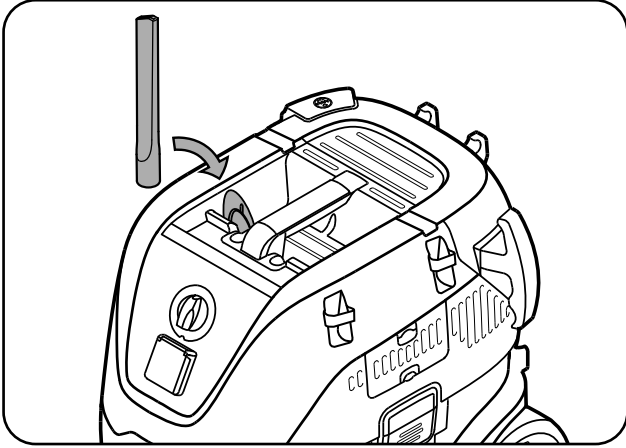
3A<sup>\*)</sup>



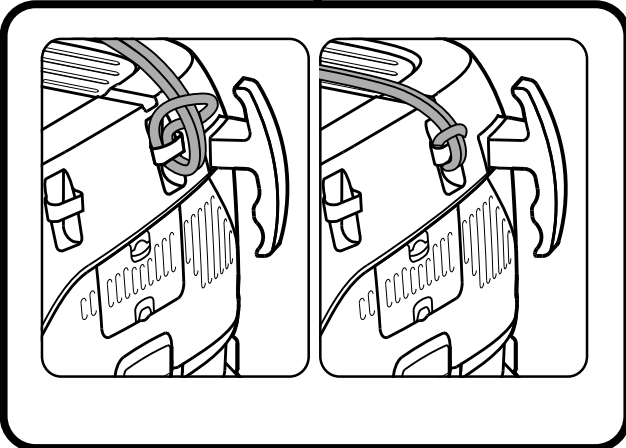
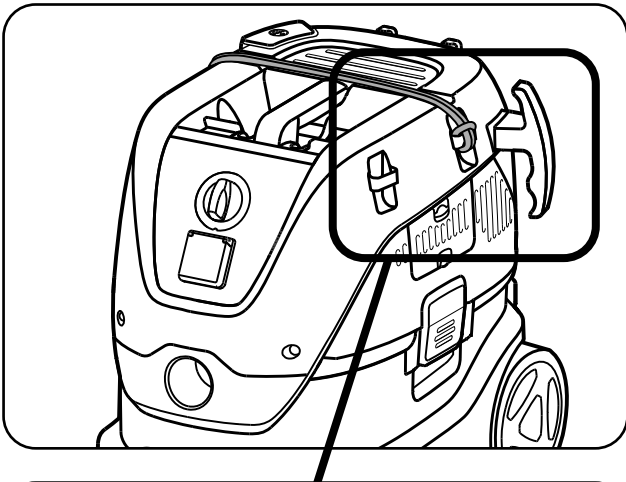
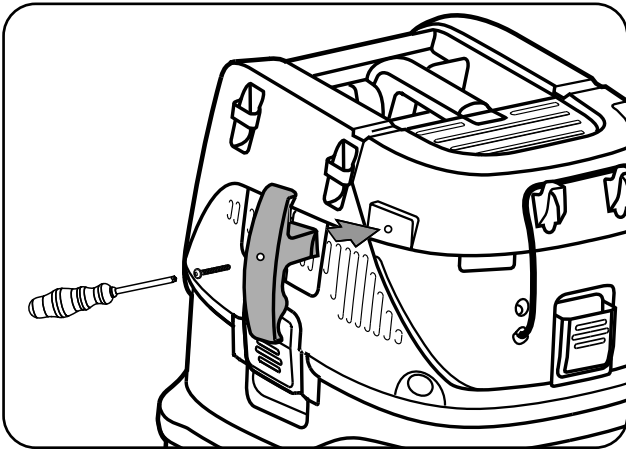
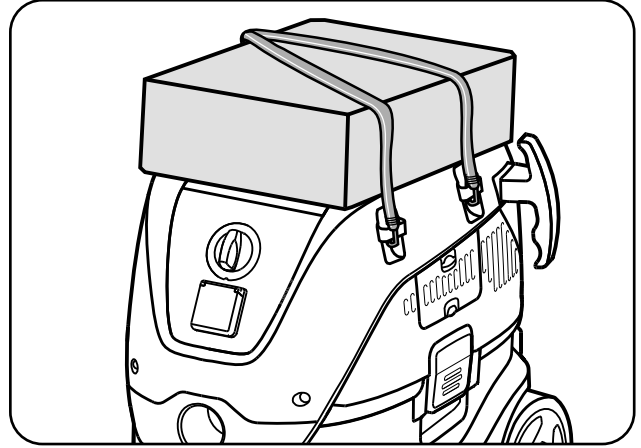
4A

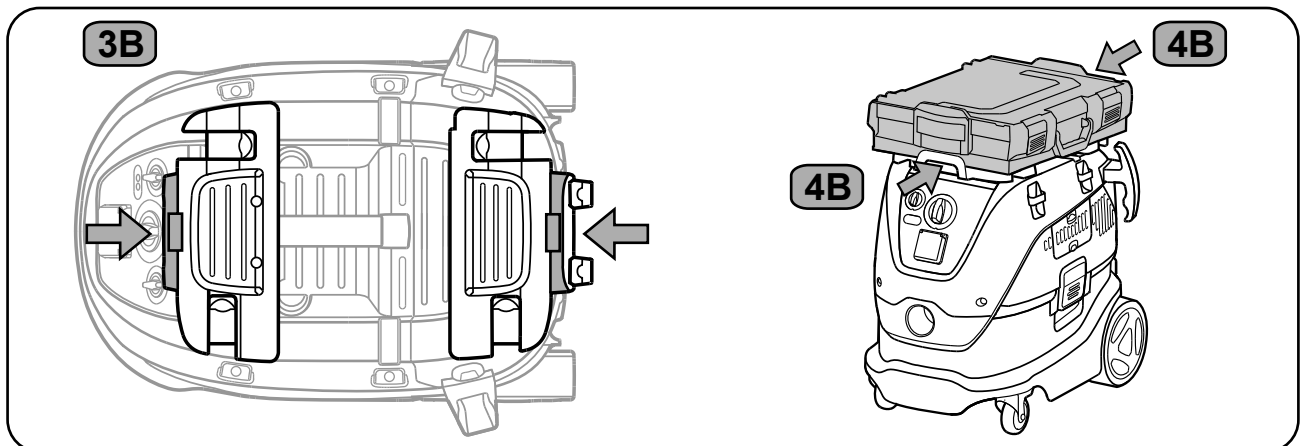
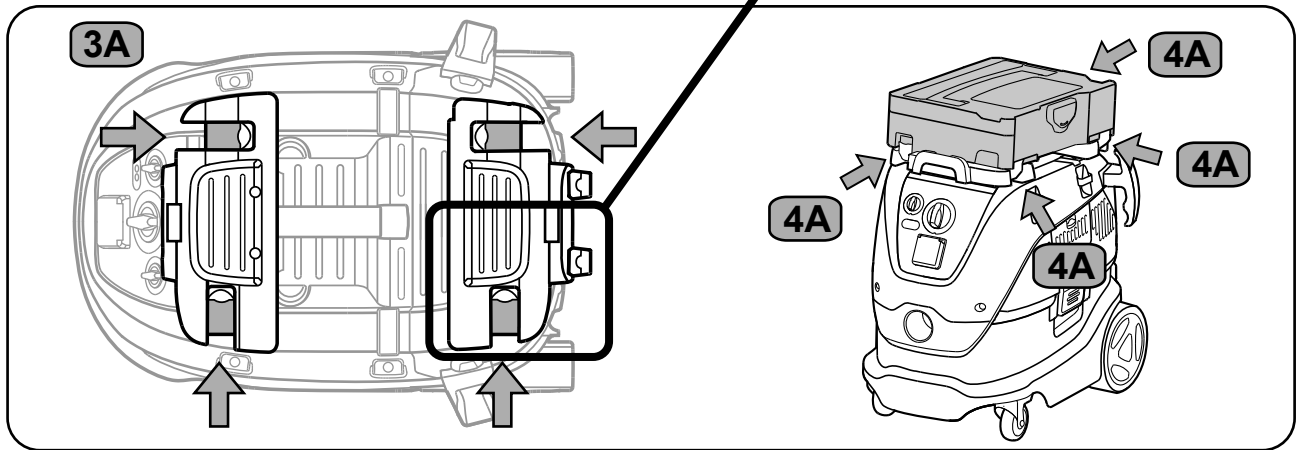
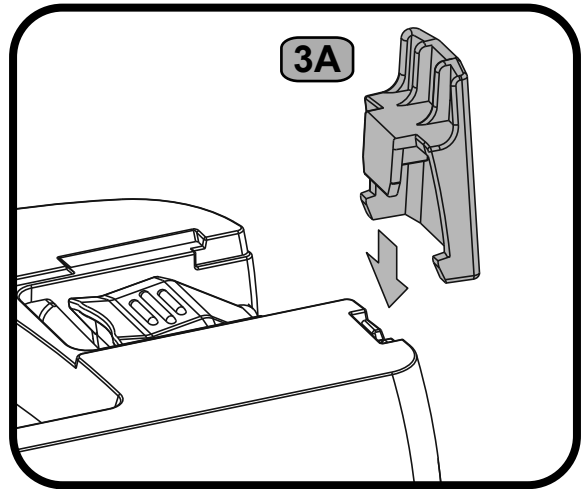
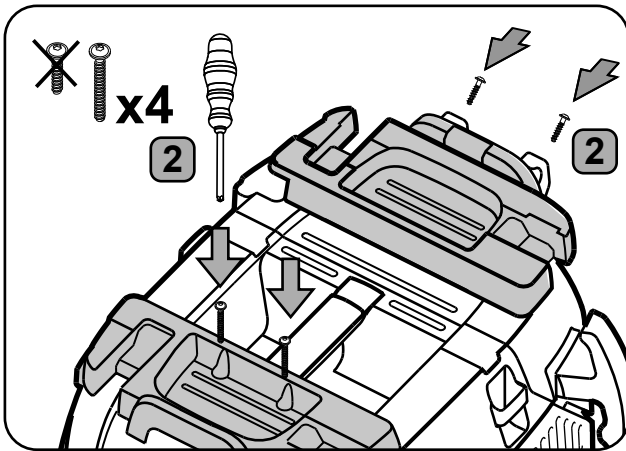
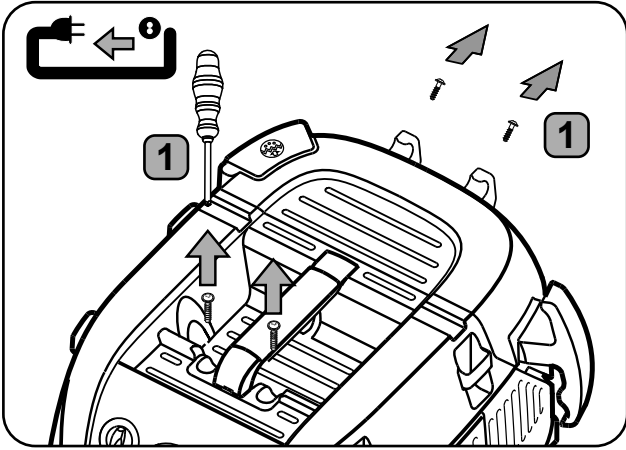


5A ʻ)



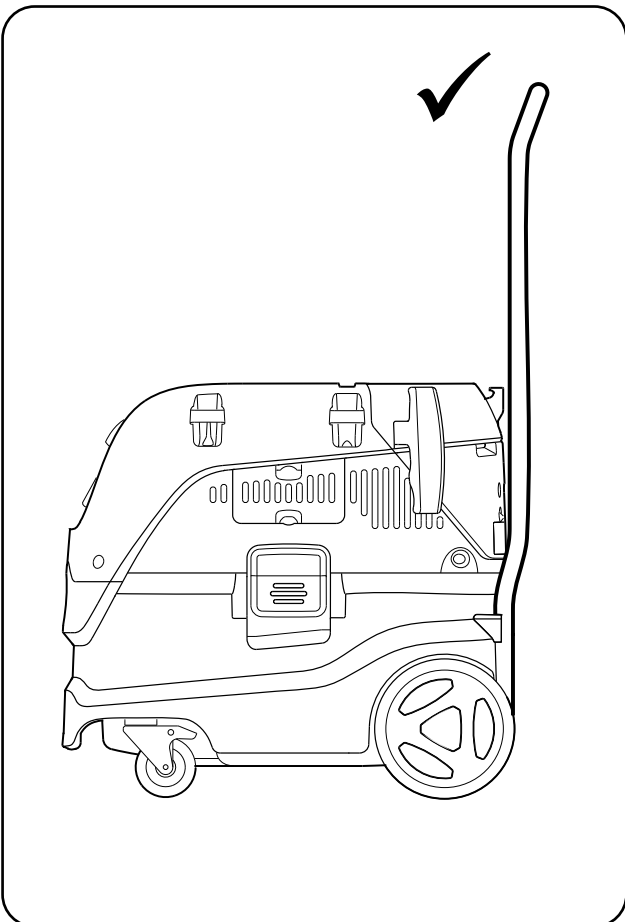
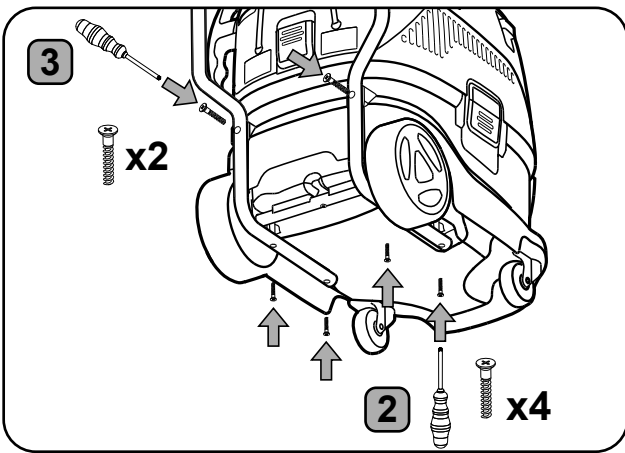
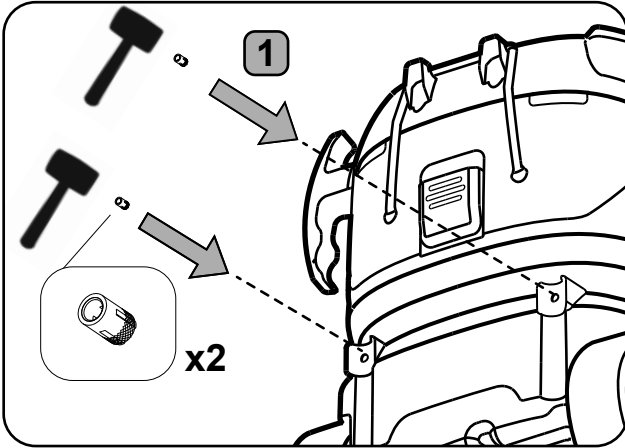
5A ʻ)



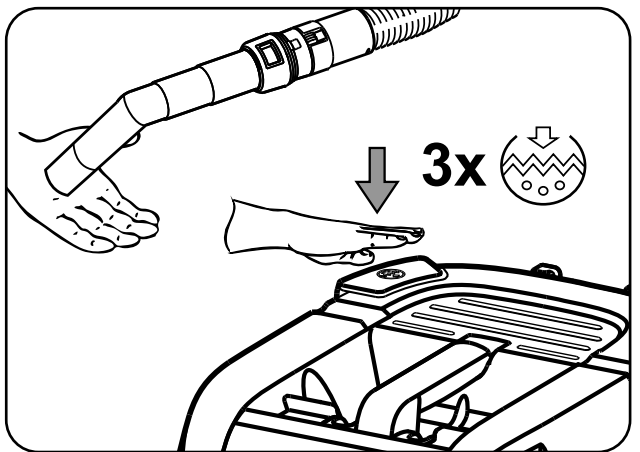
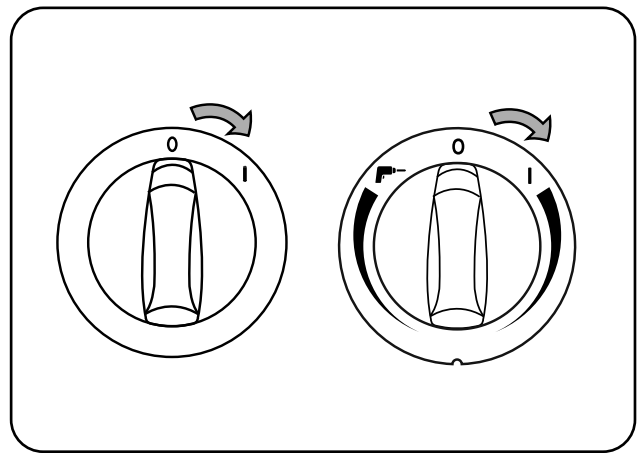
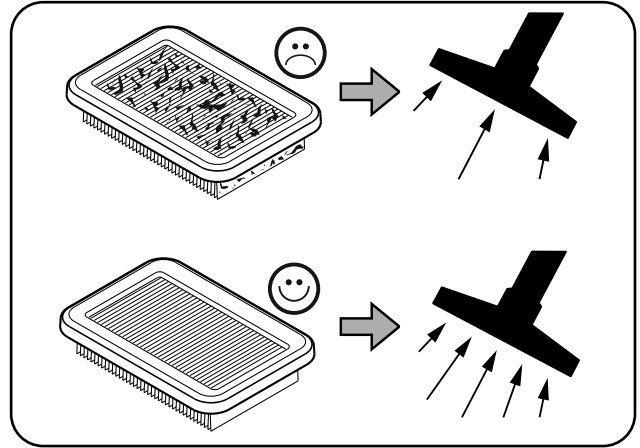




7A<sup>\*)</sup>

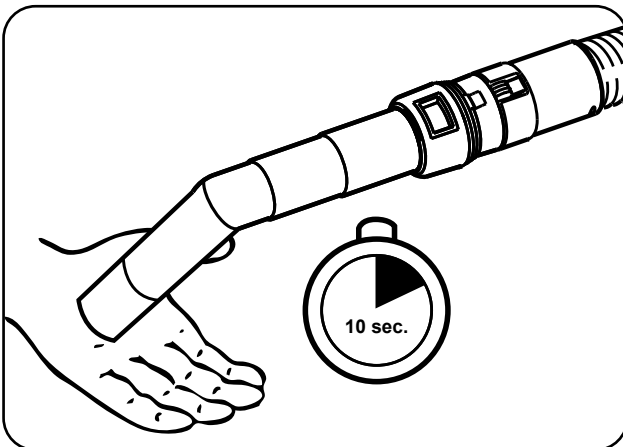
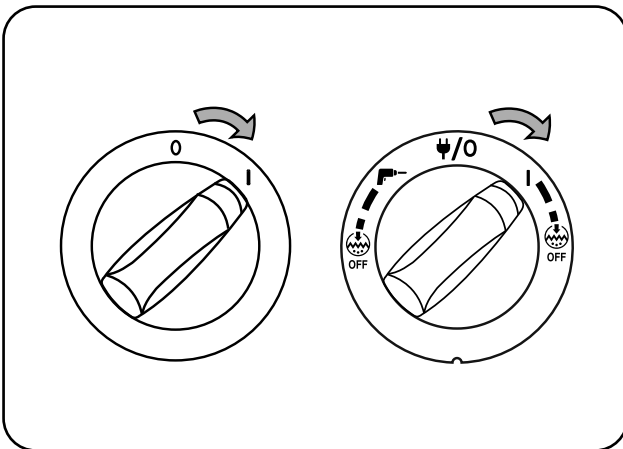
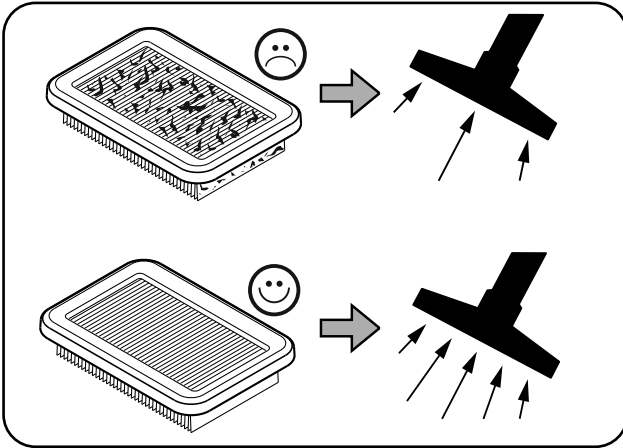


1B<sup>\*)</sup>



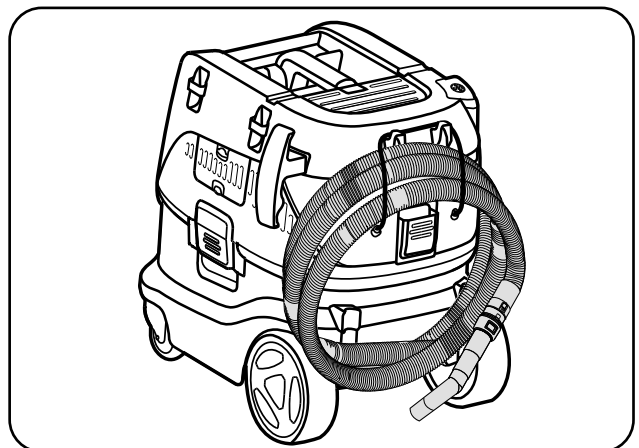
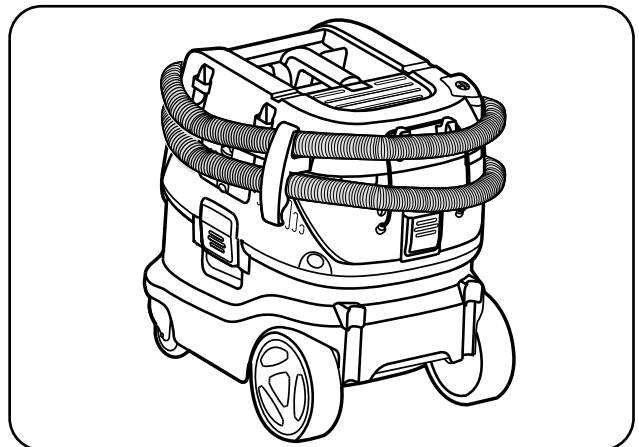
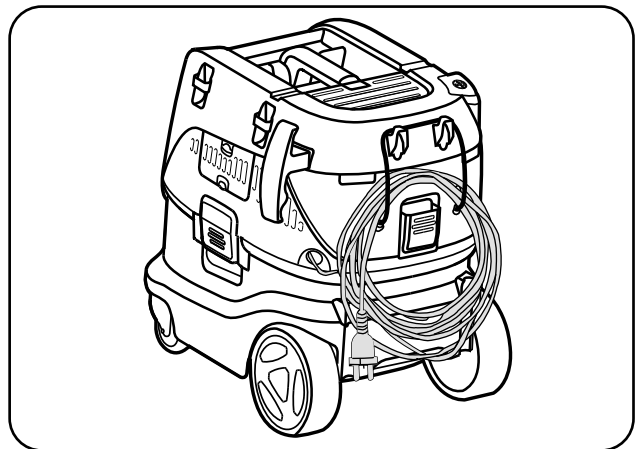
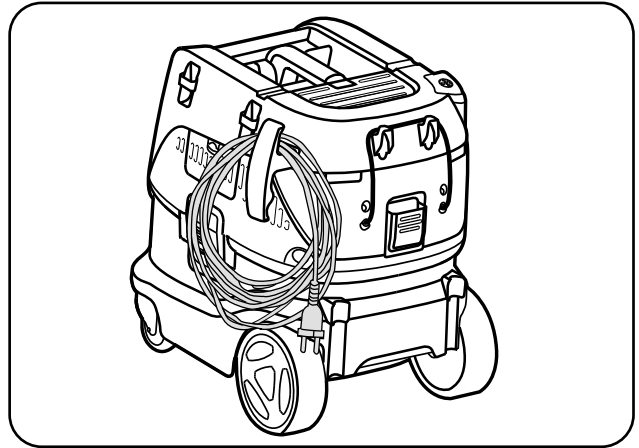
**Push&Clean**

2B<sup>1)</sup>



**InfiniClean**

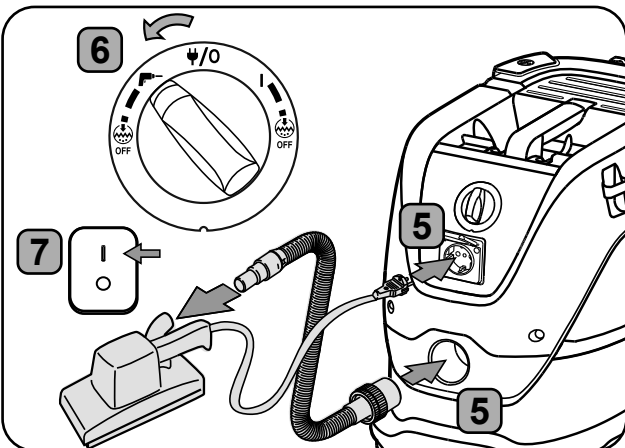
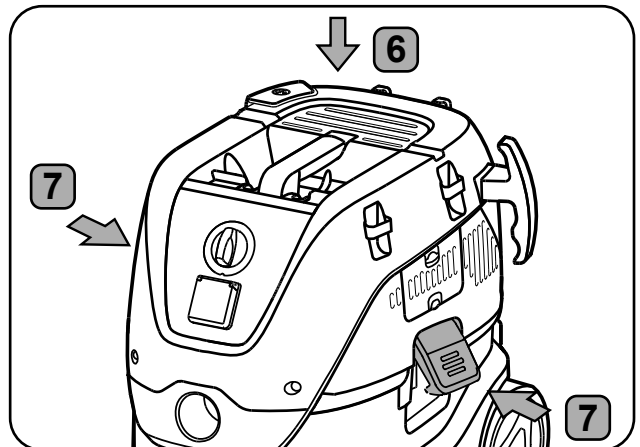
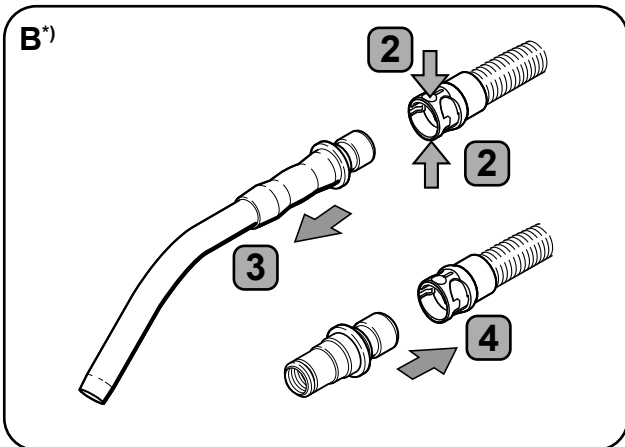
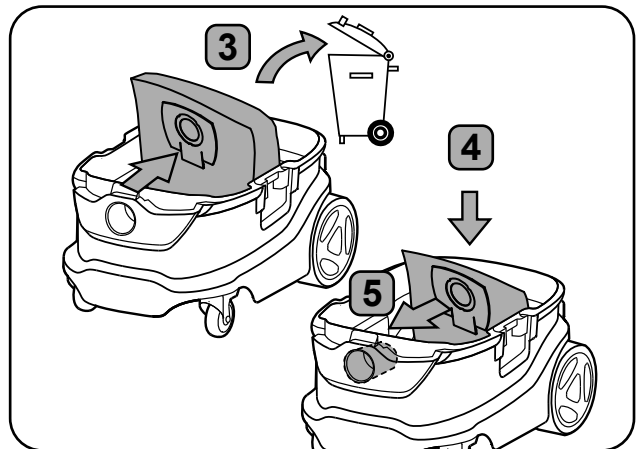
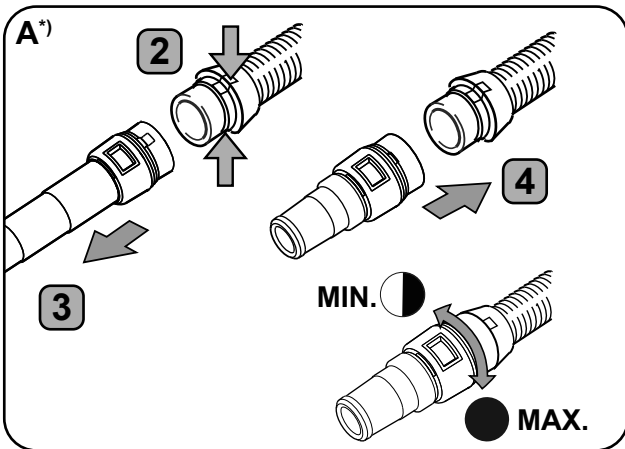
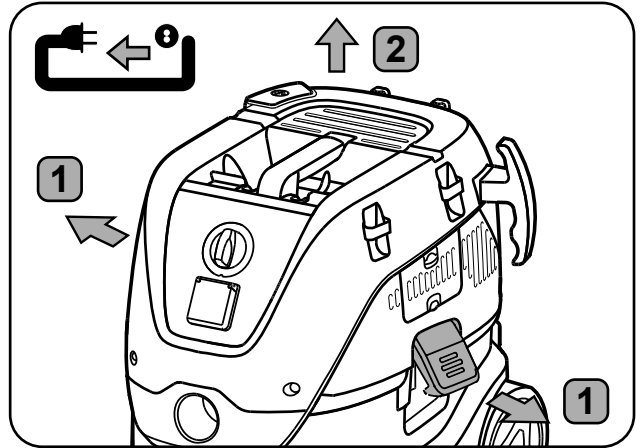
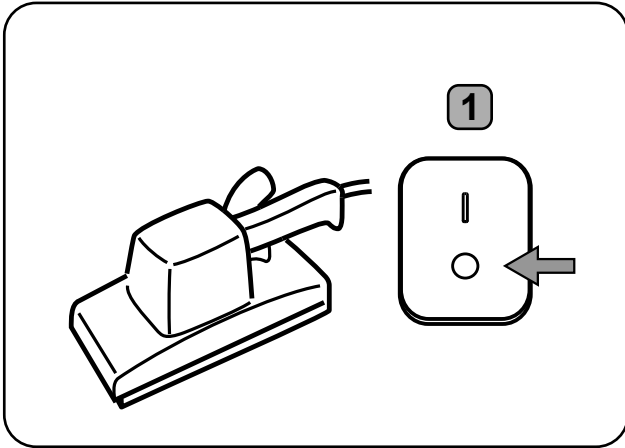
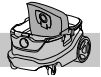
3B

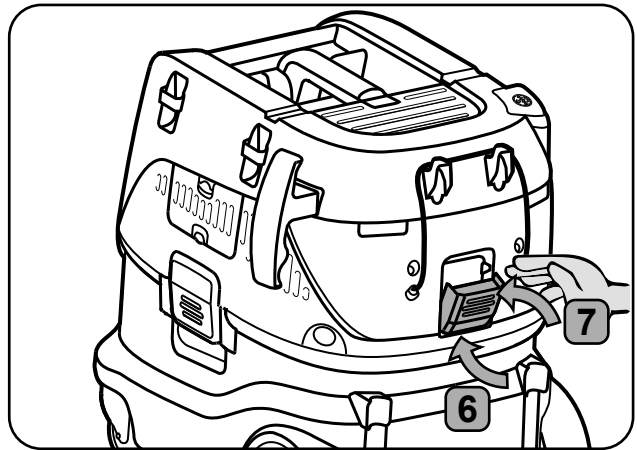
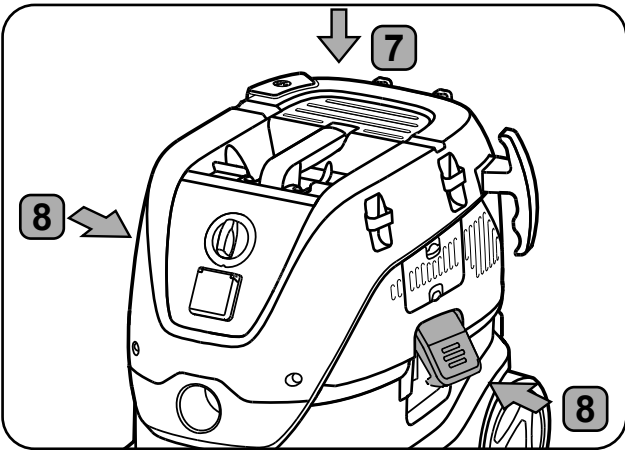
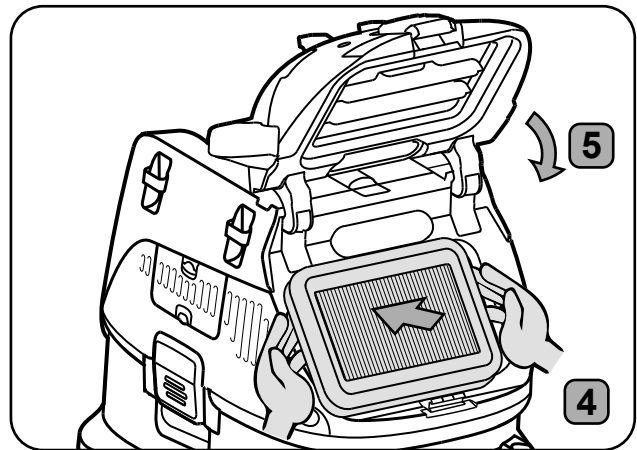
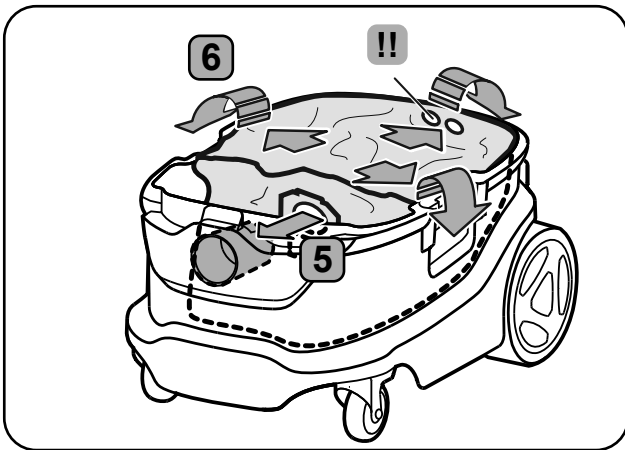
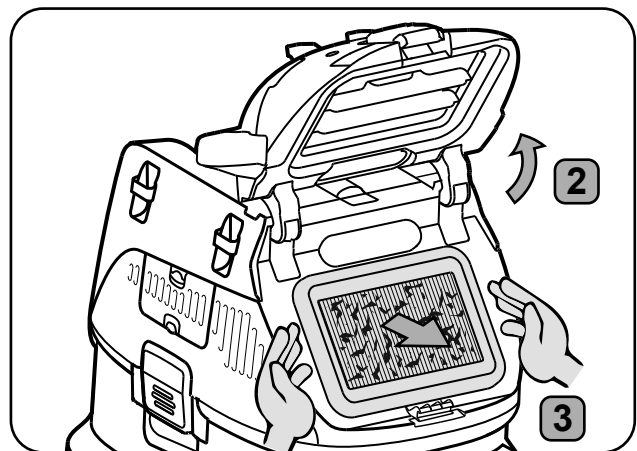
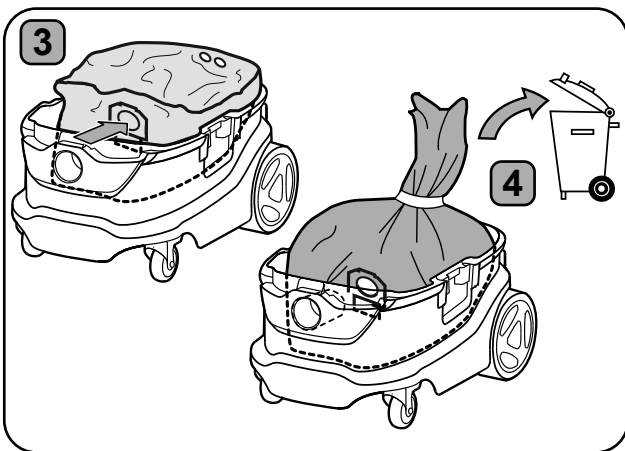
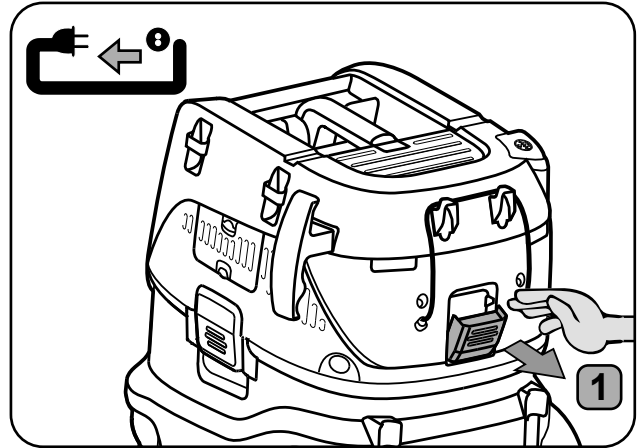
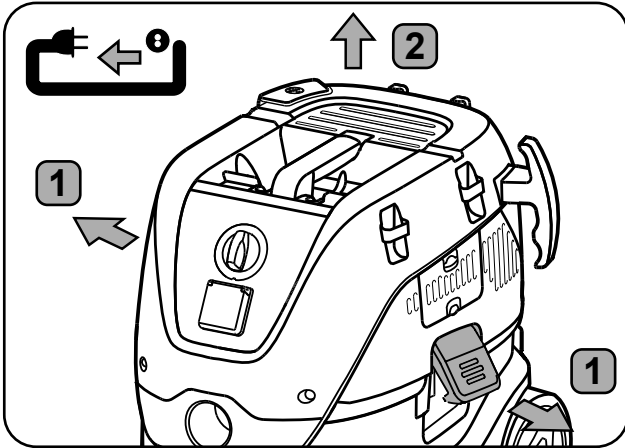
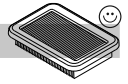


1C\*)

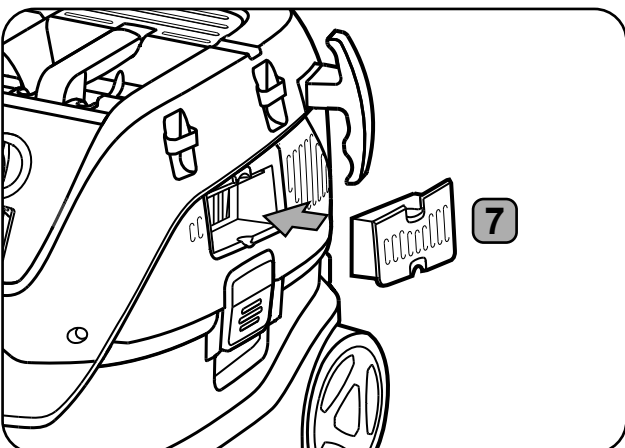
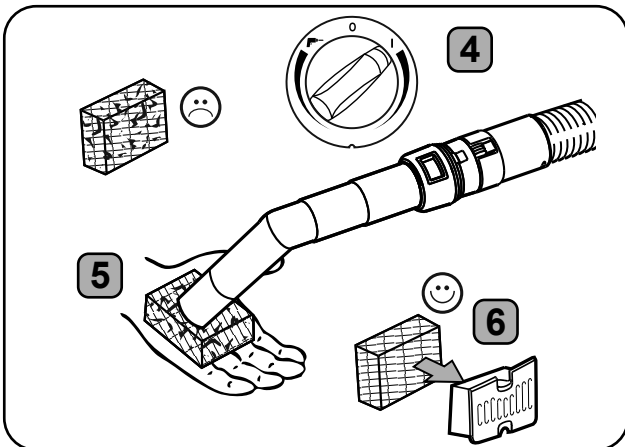
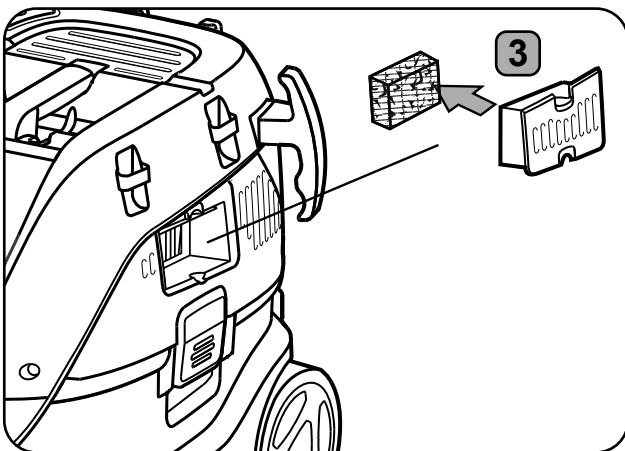
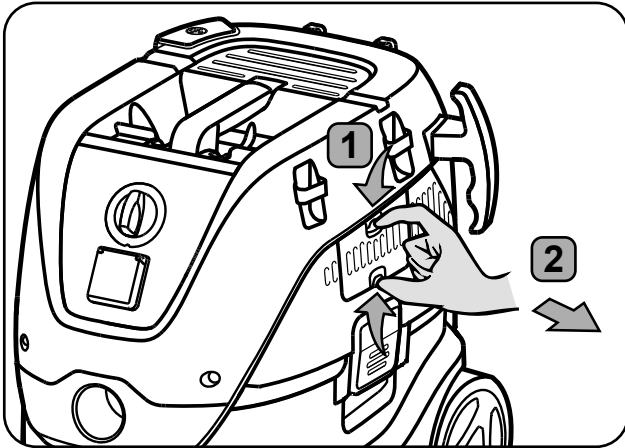


1D

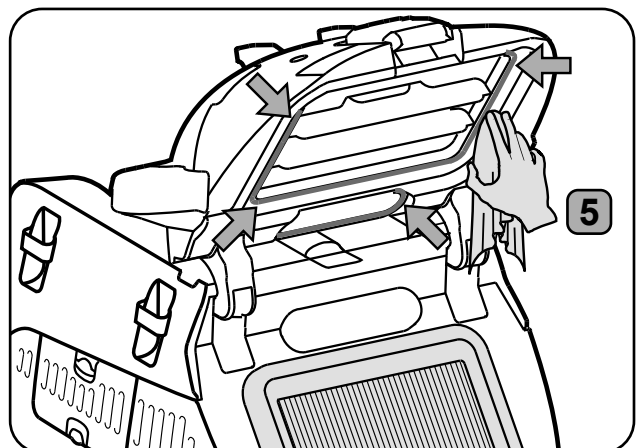
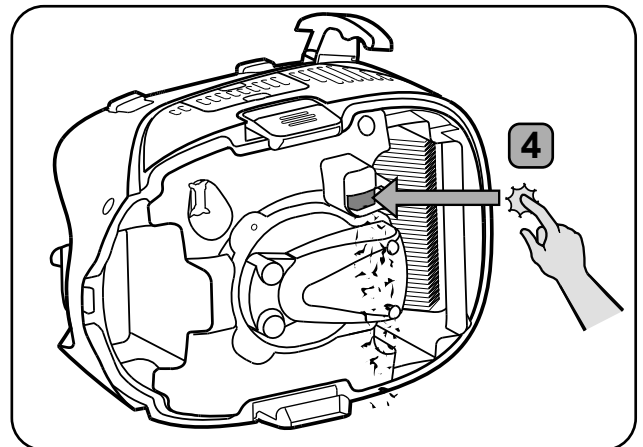
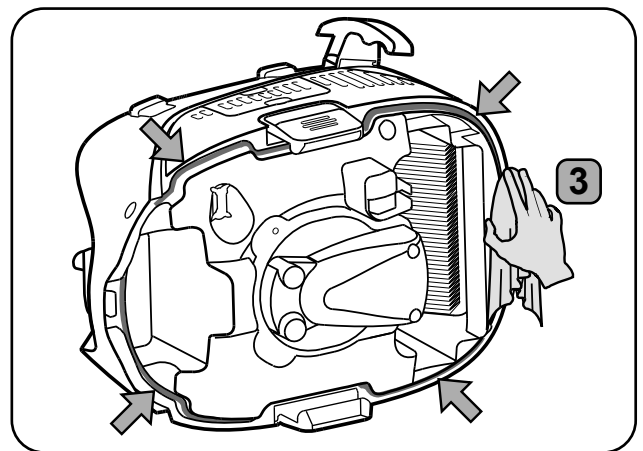
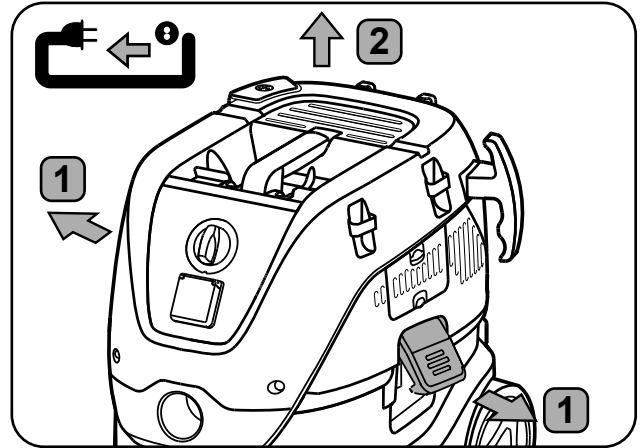


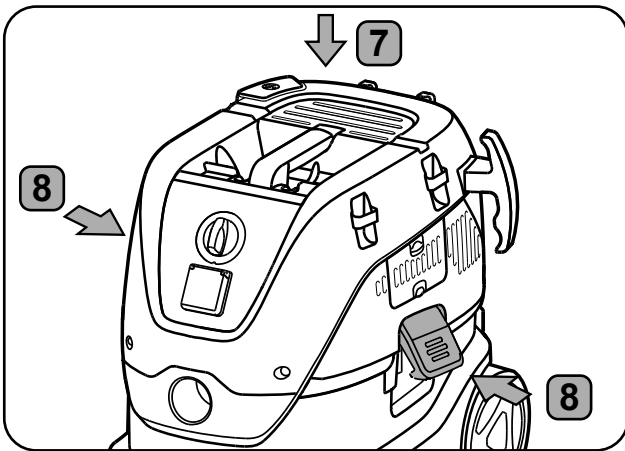
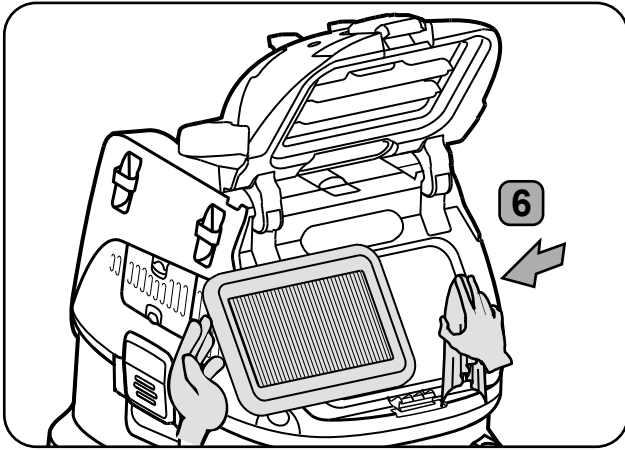
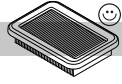


4D



5D





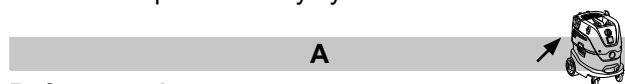
# Quick reference guide

## Operating elements:

1. Handle
2. Accessory positions
3. Latch
4. Castor
5. Container
6. Inlet fitting
7. Switch
8. Speed control\*)
9. Appliance socket\*)
10. Filter cleaning button (Push&Clean)\*)
11. Hose hook

## The pictorial quick reference guide

The pictorial quick reference guide is designed for helping you when starting up, operating and storing the unit. The guide are subdivided into 4 sections, which are represented by symbols:



### Before starting

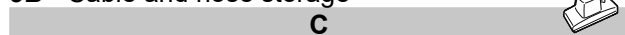
#### DO READ OPERATING INSTRUCTIONS BEFORE USE!

- 1A - Unpack accessories
- 2A - Filter bag installation
- 3A - Disposal bag installation
- 4A - Hose insert & operations
- 5A - Accessories placement
- 6A - Adaptor plate installation
- 7A - Trolley handle installation



### Control/Operation

- 1B - Push&Clean filter cleaning system
- 2B - InfiniClean filter cleaning system
- 3B - Cable and hose storage



### Connecting electrical appliances

- 1C - Power tool adaption



### Maintenance:

- 1D - Filter bag replacement
- 2D - Disposal bag replacement
- 3D - Filter replacement
- 4D - Motor cooling air diffuser cleaning
- 5D - Gaskets and floater cleaning

# Contents

<b>1 Safety instructions</b> .....	<b>2</b>
1.1 Symbols used to mark instructions .....	2
1.2 Instructions for use .....	2
1.3 Purpose and intended use .....	2
1.4 Electrical connection .....	2
1.5 Extension lead .....	2
1.6 Guarantee .....	3
1.7 Important warnings .....	3
<b>2 Risks</b> .....	<b>4</b>
2.1 Electrical components .....	4
2.2 Hazardous dust .....	5
2.3 Spare parts and accessories .....	5
2.4 In explosive or inflammable atmosphere ...	5
<b>3 Control / Operation</b> .....	<b>5</b>
3.1 Starting and operating of the machine .....	5
3.2 Auto-On/Off socket outlet for power tools <sup>1)</sup>	6
3.3 Push&Clean <sup>1)</sup> .....	6
3.4 InfiniClean <sup>1)</sup> .....	6
3.5 Antistatic connection <sup>1)</sup> .....	6
3.6 Cooling air filter .....	6
3.7 Wet pick-up .....	6
3.8 Dry pick-up .....	7
<b>4 After using the machine</b> .....	<b>7</b>
4.1 After use .....	7
4.2 Transport .....	7
4.3 Storage .....	7
4.4 Accessory and tool storage .....	7
4.5 Recycling the machine .....	7
<b>5 Maintenance</b> .....	<b>7</b>
5.1 Regular servicing and inspection .....	7
5.2 Maintenance .....	8
<b>6 Further information</b> .....	<b>9</b>
6.1 Specifications .....	9

# 1 Safety instructions



This document contains the safety information relevant for the appliance along with a quick reference guide. Before starting up your machine for the first time, this instruction manual must be read through carefully. Save the instructions for later use.

## Further support

Further information on the appliance can be found on our web site at [www.Nilfisk.com](http://www.Nilfisk.com).

For further queries, please contact the Nilfisk service representative responsible for your country. See reverse of this document.

## 1.1 Symbols used to mark instructions

### DANGER



Danger that leads directly to serious or irreversible injuries, or even death.

### WARNING



Danger that can lead to serious injuries or even death.

### CAUTION



Danger that can lead to minor injuries and damage.

## 1.2 Instructions for use

The appliance must:

- only be used by persons, who have been instructed in its correct usage and explicitly commissioned with the task of operating it
- only be operated under supervision
- This appliance is not intended for use by persons (including children) with reduced physical, sensory or mental capabilities, or lack of experience and knowledge.
- Children shall be supervised to make sure that they do not play with the appliance.
- Do not use any unsafe work techniques.
- Never use the appliance without a filter.
- Switch off the appliance and disconnect the mains plug in the following situations:
  - Prior to cleaning and servicing
  - Prior to replacing components
  - Prior to changing over the appliance
  - If foam develops or liquid emerges

Besides the operating instructions and the binding accident prevention regulations valid in the country of use, observe recognised regulations for safety and proper use.

For Dust Class L machines (with type designation VHS 40 LC, VHS 42 LC) following applies:

Before starting work, the operating staff must be informed on and trained within:

- use of the machine

- risks associated with the material to be picked up
- safe disposal of the picked up material

## 1.3 Purpose and intended use

This mobile dust extractor is designed, developed and rigorously tested to function efficiently and safely when properly maintained and used in accordance with the following instructions.

This machine is intended for commercial use, for example in hotels, schools, hospitals, factories, shops, offices and rental businesses.

This machine is also suitable for industrial use, such as e.g. plants, construction sites and workshops. Accidents due to misuse can only be prevented by those using the machine.

**READ AND FOLLOW ALL SAFETY INSTRUCTIONS.**

The appliance is suitable for picking up dry, non-flammable dust and liquids.

Any other use is considered as improper use. The manufacturer accepts no liability for any damage resulting from such use. The risk for such use is borne solely by the user. Proper use also includes proper operation, servicing and repairs as specified by the manufacturer.

For Dust Class L machines (with type designation VHS 40 LC, VHS 42 LC) following applies:

The appliance is suitable for picking up dry, non-flammable dust and liquids, hazardous dusts with OEL<sup>1)</sup> value > 1mg/m<sup>3</sup>.

Dust Class L (IEC 60335-2-69).

The dusts which belong to this class have OEL<sup>1)</sup> values > 1mg/m<sup>3</sup>.



For machines intended for the Dust Class L, the filter material is tested. The maximum degree of permeability is 1% and there is no special requirement for disposal.

For dust extractors, ensure adequate air change rate L, when the exhaust air is returned to the room. Observe national regulations before use.

## 1.4 Electrical connection

- It is recommended that the machine should be connected via a residual current circuit breaker.
- Arrange the electrical parts (sockets, plugs and couplings) and lay down the extension lead so that the protection class is maintained.
- Connectors and couplings of power supply cords and extension leads must be watertight.

## 1.5 Extension lead

1. As an extension lead, only use the version specified by the manufacturer or one of a higher quality.



2. When using an extension lead, check the minimum cross-sections of the cable:

Cable length	Cross section	
	< 16 A	< 25 A
up to 20 m	1.5 mm <sup>2</sup>	2.5 mm <sup>2</sup>
20 to 50 m	2.5 mm <sup>2</sup>	4.0 mm <sup>2</sup>

### 1.6 Guarantee

Our general conditions of business are applicable with regard to the guarantee.

Unauthorized modifications to the appliance, the use of incorrect brushes in addition to using the appliance in a way other than for the intended purpose exempt the manufacturer from any liability for the resulting damage.

### 1.7 Important warnings

## WARNING



- To reduce the risk of fire, electric shock, or injury, please read and follow all safety instructions and caution markings before use. This machine is designed to be safe when used for cleaning functions as specified. Should damage occur to electrical or mechanical parts, the machine and / or accessory should be repaired by a competent service center or the manufacturer before use in order to avoid further damage to the machine or physical injury to the user.
- Do not leave the machine when it is plugged in. Unplug from the socket when not in use and before maintenance.
- Outdoor use of the appliance shall be limited to occasional use.
- Do not use with damaged cord or plug. To unplug grasp the plug, not the cord. Do not handle plug or machine with wet hands. Turn off all controls before unplugging.
- Do not pull or carry by cord, use cord as a handle, close a door on cord, or pull cord around sharp edges or corners. Do not run machine over cord. Keep cord away from heated surfaces.
- Keep hair, loose clothing, fingers and all parts of the body away from openings and moving parts. Do not put any objects into openings or use with opening blocked. Keep openings free of dust, lint, hair, and anything else that could reduce the flow of air.
- Do not use in outside areas at low temperature.
- Do not use to pick up flammable or combustible liquids such as gasoline, or use in areas where they may be present.
- Do not pick up anything

that is burning or smoking, such as cigarettes, matches or hot ashes.

- Use extra care when cleaning on stairs.
- Do not use unless filters are fitted.
- If the machine is not working properly or has been dropped, damaged, left outdoors, or dropped into water, return it to a service center or dealer.
- If foam or liquid escapes from the machine, switch off immediately.
- The machine may not be used as a water pump. The machine is intended for vacuuming air and water mixtures.
- Connect the machine to a properly earthed mains supply. The socket outlet and the extension cable must have an operative protective conductor.
- Provide for good ventilation at the working place.
- Do not use the machine as a ladder or step ladder. The machine can tip over and become damaged. Danger of injury.
- For standard machines (with type designation VHS 40, VHS 42) follow-


ing applies: This machine is not suitable for picking up hazardous dust.

- Only use the socket outlet on the machine for purposes specified in the instructions.


## 2 Risks

### 2.1 Electrical components

#### **DANGER**

-  The upper section of the machine contains live components. Contact with live components leads to serious or even fatal injuries. Never spray water on to the upper section of the machine.

#### **DANGER**


-  Electric shock due to faulty mains connecting lead. Touching a faulty mains connecting lead can result in serious or even fatal injuries.
- Do not damage the mains power lead (e.g. by driving over it, pulling or crushing it).
  - Regularly check whether the power cord is damaged or shows signs of ageing.
  - If the electric cable is damaged, it must be replaced by an authorized

Nilfisk distributor or similar qualified person in order to avoid a hazard.

- In no circumstances should the power supply cord be wrapped around fingers or any part of the operators person.

2.2 Hazardous dust

**WARNING**

 Hazardous materials. Vacuuming up hazardous materials can lead to serious or even fatal injuries. The following materials must not be picked up by the machine:


- hot materials (burning cigarettes, hot ash, etc.)
- flammable, explosive, aggressive liquids (e.g. petrol, solvents, acids, alkalis, etc.)
- flammable, explosive dust (e.g. magnesium or aluminium dust, etc.)

For standard machines (with type designation VHS 40, VHS 42) following further applies: The following materials must not be picked up by the machine:

- Hazardous dust.

2.3 Spare parts and accessories

**CAUTION**

 Spare parts and accessories. The use of non-genuine spare parts, brushes and accessories can impair the safety and or function of the appliance.


Only use original spare parts and accessories from

Nilfisk. Spare parts that can affect health and safety of the operator and or function of the appliance, are specified below:

Description	Order No.
Flat filter PTFE, 1 pcs.	107413540
Fleece filter bag, 5 pcs.	107413547
Disposal bag, 5 pcs.	107417821
Long Life filter bag, 1 pcs.	107413556
Motor cooling air filter PET, 1 pcs.	107413541


2.4 In explosive or inflammable atmosphere

**CAUTION**

 This machine is not suitable for use in explosive or inflammable atmospheres or where such atmospheres are likely to be produced by the presence of volatile liquid or inflammable gas or vapour.

3 Control / Operation

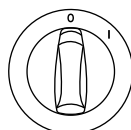
**CAUTION**

 Damage due to unsuitable mains voltage. The appliance can be damaged as a result of being connected to an unsuitable mains voltage.

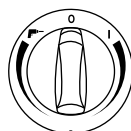
- Ensure that the voltage shown on the rating plate corresponds to the voltage of the local mains power supply.

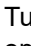
3.1 Starting and operating of the machine

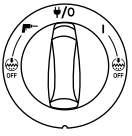
Check that the electrical switch is switched off (in position 0). Check that suitable filters are installed in the machine. Then connect the suction hose into the suction inlet at the machine by pushing the hose forward until it fits firmly in place at the inlet. Then connect the tubes with the hose handle, twist the tubes in order to ensure that they are properly fitted. Attach suitable nozzle to the tube. Choose nozzle depending on what type of material that is to be picked-up. If used for dust extraction in connection with dust producing tool then connect end of suction hose with appropriate adapter. Connect the plug into a proper electrical outlet. Put the electrical switch into position I in order to start the motor.



Turn I: Activate the machine  
Turn 0: Stop the machine



Turn I: Activate the machine – turn clock wise for speed control  
Turn 0: Stop the machine  
Turn  : Activate Auto-On/Off operation – turn counterclockwise for speed control



Turn I: Activate the machine  
 Turn  $\Psi/0$ : Stop the machine.  
 Permanent power on socket.  
 Turn  $\text{P}^-$ : Activate Auto-On/Off operation.  
 Turn I+  $\text{P}^-$  Off: Activate the machine with deactivated automatic filter cleaning function  
 Turn  $\text{P}^- + \text{P}^-$  Off: Activate Auto-On/Off operation with deactivated automatic filter cleaning function.  
 Speed control operation on separate turning knob

### 3.2 Auto-On/Off socket outlet for power tools<sup>1)</sup>

#### CAUTION



Appliance socket.\*

The appliance socket is designed for electrical auxiliary equipment; see technical data for reference.

- Prior to plugging in an appliance, always switch off the machine and the appliance that is to be connected.
- Read the operating instructions to the appliance to be connected and observe the safety notes contained in these.

An appliance socket with earthing contact is integrated in the machine. An external power tool can be connected there. The socket features permanent power on, when the electrical switch is in position  $\Psi/0$ , i.e. the machine can be used as an extension cord. In position  $\text{P}^-$  the machine can be switched on and off by the power tool connected. Dirt is picked up from the source of dust immediately. To comply with regulations, only approved dust producing tools should be connected.

The maximum power consumption of the connected electrical appliance is stated in section "Specifications".

Before turning the switch to position  $\text{P}^-$  ensure that the tool connected to the appliance socket is switched off.

### 3.3 Push&Clean<sup>1)</sup>

The "PC" machine is equipped with a semi automatic filter cleaning system, Push&Clean. The filter cleaning system must be actuated latest when the suction performance is no longer sufficient. Regular use of the filter cleaning feature maintains suction performance and increases the lifetime of the filter. For instruction see quick reference guide.

### 3.4 InfiniClean<sup>1)</sup>

The "IC" machine is equipped with an automatic filter cleaning system, InfiniClean. A frequent cleaning cycle will automatically run during operation to ensure that suction performance is always at its best. If suction performance decreases or in extensive

dust applications a manually filter cleaning operation is recommended:

- Switch off the machine
- Close the nozzles or suction hose opening with the palm of your hand.
- Turn the switch to position „I“ and let the machine operate at full speed for approx. 10 seconds with the suction hose opening closed.

If suction power is still reduced take out the filter and clean mechanically or replace filter.

For certain applications, like wet pick up, it is recommended to turn off the automatic filter cleaning system. For details see chapter 3.1.

### 3.5 Antistatic connection<sup>1)</sup>

#### CAUTION



The machine is equipped with an antistatic system to discharge any static electricity that may develop during dust pick-up.

The antistatic system is placed in front part of the motor top and creates an earth ground connection to the inlet fitting of the container. For proper function the use of an electrical conductive or antistatic suction hose is recommended. When inserting the optional disposal bag make sure the antistatic connection is kept.

### 3.6 Cooling air filter

To protect the electronics and motor, the machine is equipped with a cooling air diffusor. Clean the cooling air diffusor regularly.

For areas with a high concentration of fine dust in the surrounding air it is recommended to equip the machine with an optional cooling air filter cartridge to prevent dust from settling inside the air channels and motor. Contact your local sales representative.

#### CAUTION



If cooling air filter is clogged by dust the overload protection switch in the motor can be activated. In such case switch off the machine, clean cooling air filter and allow machine to cool for approx. 5 minutes.

### 3.7 Wet pick-up

#### CAUTION



The machine is equipped with a water level limit system which shuts off the machine when the maximum liquid level is reached.

When this occurs, switch off the machine.

Disconnect the machine from the socket and empty the container. Never pick up liquids without the water level limit system and filter in place.

Picking up liquids.

- Do not pick up flammable liquids
- Before liquids are picked up, always remove the filter bag/wastebag and check that the water level limit works properly.

- If foam appears, stop work immediately and empty the tank.
- Clean the water level limiting device regularly and check for signs of damage.

Before emptying the container, unplug the machine. Disconnect the hose from the inlet by pulling out the hose. Release the latch by pulling them outwards so that the motor top is released. Lift up the motor top from container. Always empty and clean the container and water level limit system after picking-up liquids.

Empty by tilting the container backwards or sideways and pour the liquids into a floor drain or similar. Put back the motor top to the container. Secure the motor top with the latches.

Heavy maneuvers can, by mistake, trigger the water level limiting device. Should this happen; turn off the machine and wait for 3 seconds to reset the device. Continue to operate the machine afterwards.

### 3.8 Dry pick-up

#### CAUTION



Picking up environmentally hazardous materials.

Materials picked up can present a hazard to the environment.

- Dispose of the dirt in accordance with legal regulations.

Remove the electrical plug from the socket before emptying after dry pick-up. Release the latch by pulling them outwards so that the motor top is released. Lift up the motor top from container. Filter: Check the filters. To clean the filter you can shake, brush or wash it. Wait until the filter is dry before re-starting dust pick-up. Dust bag: check bag to ensure the fill factor. Replace dust bag if necessary. Remove the old bag. The new bag is fitted by passing the cardboard piece with the rubber membrane through the vacuum inlet. Make sure that the rubber membrane is passing past the heightening at the vacuum inlet.

**After emptying:** close motor top to the container and secure the motor top with the latches. Never pick up dry material without filter fitted in the machine. The suction efficiency of the machine depends on the size and quality of the filter and dust bag. Therefore - use only Original filter and dust bags.

## 4 After using the machine

### 4.1 After use

Remove the plug from the socket when machine is not in use. Wind up the cord starting from the machine. The power cord can be wound up around the motor top or at the container or placed in the included hook, or fastening means. Some variants have special storage places for accessories.

### 4.2 Transport

- Before transporting the machine, close all the latches.
- Do not tilt the machine if there are liquids in the dirt tank.
- Do not use a crane hook to lift the machine.
- Do not lift the machine by the trolley handle \*)

### 4.3 Storage

#### CAUTION



Store the appliance in a dry place, protected from rain and frost. The machine shall be stored indoors only.

### 4.4 Accessory and tool storage

For convenient transport and storage of accessories or tools, integrated rails are found on side of machine which allows fastening with straps or other means. A flexible strap and hooks are included on back of machine for attachment of suction hose or mains cable. For instruction see quick reference guide.

An optional adapter plate<sup>\*)</sup> with attachment system can be installed on top of machine for fastening of 2-point or 4-point storage cases.

Remove the electrical plug from the socket before installing the adapter plate.

#### CAUTION<sup>\*)</sup>



Do not lift machine in adapter plate without having storage case safely installed. Note the weight and balance of the appliance in case of storage. Maximum weight of storage cases is 30 kg.

### 4.5 Recycling the machine

Make the old machine unusable.

1. Unplug the machine.
2. Cut the power cord.
3. Do not discard of electrical appliances with household waste.



As specified in European Directive 2012/19/EU on old electrical and electronic appliances, used electrical goods must be collected separately and recycled ecologically.

## 5 Maintenance

### 5.1 Regular servicing and inspection

Regular servicing and inspection of your machine must be carried out by suitably qualified personnel in accordance with relevant legislation and regulations. In particular, electrical tests for earth continuity, insulation resistance, and condition of the flexible cord should be checked frequently.

In the event of any defect, the machine **MUST** be withdrawn from service, completely checked and repaired by an authorized service technician.

At least once a year, a Nilfisk technician or an instructed person must perform a technical inspection including filters, air tightness and control mechanisms.

## **5.2 Maintenance**

Remove the plug from the socket before performing maintenance. Before using the machine make sure that the frequency and voltage shown on the rating plate correspond with the mains voltage.

The machine is designed for continuous heavy work. Depending on the number of running hours – the dust filter should be renewed. Keep the machine clean with a dry cloth, and a small amount of spray polish.

For Dust Class L machines (with type designation VHS 40 LC, VHS 42 LC) following applies:

During maintenance and cleaning, handle the machine in such a manner that there is no danger for maintenance staff or other persons.

In the maintenance area

- Use filtered compulsory ventilation
- Wear protective clothing
- Clean the maintenance area so that no harmful substances get into the surroundings.

During maintenance and repair work all contaminated parts that could not be cleaned satisfactorily must be:

- Packed in well sealed bags
- Disposed of in a manner that complies with valid regulations for such waste removal.

For details of after sales service contact your dealer or Nilfisk service representative responsible for your country. See reverse of this document.

## 6 Further information

### 6.1 Specifications

		VHS 40, VHS 42									
		EU, FR					US				
		VHS 40 L30 PC	VHS 40 L30 LC FM PC	VHS 40 L40 IC	VHS 40 L40 LC FM IC	VHS 42 L30 PC	VHS 42 L30 LC FM PC	VHS 42 L40 IC	VHS 42 L40 LC FM IC	VHS 40 L30 PC, VHS 40 L30 IC	
Possible voltage	V	220-240	220-240	220-240	220-240	220-240	220-240	220-240	220-240	110-120	
Power P <sub>IEC</sub>	W HP	1200	1200	1200	1200	1200	1200	1200	1200	1000 1,34	
Connected load for appliance socket	W	-	-	-	-	2400	2400	2400	2400	-	
Mains frequency	Hz	50/60	50/60	50/60	50/60	50/60	50/60	50/60	50/60	50/60	
Fuse	A	16	16	16	16	16	16	16	16	15	
Protection grade (moist, dust)		IPX4									
Protection class (electrical)		I									
Max. Airflow*	l/s m <sup>3</sup> /h CFM					75 270 159				71 252 150	
Max. Vacuum	kPa hPa in <sub>H<sub>2</sub>O</sub>					25 250 100				23 230 92	
Sound pressure level L <sub>PA</sub> (IEC 60335-2-69)	dB(A)	69 ± 2									
Working sound level	dB(A)	60 ± 2									
Vibration ISO 5349 a <sub>h</sub>	m/s <sup>2</sup>	≤ 2,5									
Weight	kg lb	14,5 31,9	14,5 31,9	16 35,3	16 35,3	14,5 31,9	14,5 31,9	16 35,3	16 35,3	14,5 31,9	
Filter surface area	m <sup>2</sup>	0,5									
Dust class		-	L	-	L	-	-	-	L	-	

\* measured at turbine

Specifications and details are subject to change without prior notice.

## HEAD QUARTER

### DENMARK

Nilfisk A/S  
Tel.: +45 43 23 81 00  
www.nilfisk.com

## SALES COMPANIES

### ARGENTINA

Nilfisk Argentina  
Tel.: +54 11 4737 1877  
www.nilfisk.com

### AUSTRALIA

Nilfisk Pty Ltd  
Tel.: +61 1300 556 710  
www.nilfisk.com

### AUSTRIA

Nilfisk GmbH  
Tel.: +43 (0)662/45 64 00-90  
www.nilfisk.com

### BELGIUM

Nilfisk nv/sa  
Tel.: +32 (0) 2 467 60 50  
www.nilfisk.com

### BRAZIL

Nilfisk do Brasil  
Tel.: +55 11 3959-0300  
www.nilfisk.com

### CANADA

Nilfisk Canada Company  
Tel.: +1 800-668-8400  
www.nilfisk.com

### CHILE

Nilfisk S.A. (Comercial KCS Ltda)  
Tel.: +56 2 2684 5000  
www.nilfisk.com

### CHINA

Nilfisk  
Tel.: +86 400 080 3200  
www.nilfisk.com

### CZECH REPUBLIC

Nilfisk s.r.o.  
Tel.: +420 244 090 912  
www.nilfisk.com

### DENMARK

Nilfisk Danmark A/S  
Tel.: +45 72 18 21 00  
www.nilfisk.com

### FINLAND

Nilfisk Oy Ab  
Tel.: +358 207 890 602  
www.nilfisk.com

### FRANCE

Nilfisk SAS  
Tel.: +33 169 59 87 00  
www.nilfisk.com

### GERMANY

Nilfisk GmbH  
Tel.: +49 (0)7306-72-444  
www.nilfisk.com

### GREECE

Nilfisk A.E.  
Tel.: +30 210 911 9600  
www.nilfisk.com

### NETHERLANDS

Nilfisk B.V.  
Tel.: +31 036-5460700  
www.nilfisk.com

### HUNGARY

Nilfisk Kft.  
Tel.: +36 24 507 452  
www.nilfisk.com

### INDIA

Nilfisk India Limited  
Tel.: +91 80 4127 6510  
www.nilfisk.com

### IRELAND

Nilfisk  
Tel.: +35 01 294 3838  
www.nilfisk.com

### ITALY

Nilfisk SpA  
Tel.: +39 0523 1612000  
www.nilfisk.com

### JAPAN

Nilfisk Inc.  
Tel.: +81 045-620-3658  
www.nilfisk.com

### MALAYSIA

Nilfisk Sdn Bhd  
Tel.: +603 6275 3120  
www.nilfisk.com

### MEXICO

Nilfisk de Mexico, S. de R.L. de C.V.  
Tel.: +52 442 427 7774  
www.nilfisk.com

### NEW ZEALAND

Nilfisk Limited  
Tel.: +64 (09) 525 1130  
www.nilfisk.com

### NORWAY

Nilfisk AS  
Tel.: +47 22 75 17 80  
www.nilfisk.com

### PERU

Nilfisk S.A.C.  
Tel.: + 51 (1) 710 8283  
www.nilfisk.com

### POLAND

Nilfisk Sp. Z.O.O.  
Tel.: +48 22 104 22 00  
www.nilfisk.com

### PORTUGAL

Nilfisk Lda.  
Tel.: +351 219 112 670  
www.nilfisk.com

### SINGAPORE

Nilfisk Pte Ltd  
Tel.: +65 62681006  
www.nilfisk.com

### SLOVAKIA

Nilfisk s.r.o.  
Tel.: +421 948 339 353  
www.nilfisk.com

### SOUTH AFRICA

Nilfisk Middle East & Africa  
Tel.: +971 4264 4172  
www.nilfisk.com

### SOUTH KOREA

Nilfisk Korea  
Tel.: +82 02-3474-4141  
www.nilfisk.com

### SPAIN

Nilfisk S.A.U  
Tel.: +34 900 506 776  
www.nilfisk.com

### SWEDEN

Nilfisk AB  
Tel.: +46 031-706 73 00  
www.nilfisk.com

### SWITZERLAND

Nilfisk AG  
Tel.: +41 (0)71 923 84 44  
www.nilfisk.com

### THAILAND

Nilfisk Co. Ltd.  
Tel.: +66 0-2275-5630  
www.nilfisk.com

### TURKEY

Nilfisk A.S.  
Tel.: +90 216 275 76 00  
www.nilfisk.com

### UNITED ARAB EMIRATES

Nilfisk Middle East Branch  
Tel.: +971 4264 4172  
www.nilfisk.com

### UNITED KINGDOM

Nilfisk Ltd.  
Tel.: +44 01768 868995  
www.nilfisk.com

### UNITED STATES

Nilfisk, Inc.  
Tel.: +1 800-989-2235  
www.nilfisk.com

### VIETNAM

Nilfisk Vietnam  
Tel.: +84 0866 461 566  
www.nilfisk.com